

Excellent Integrated System Limited

Stocking Distributor

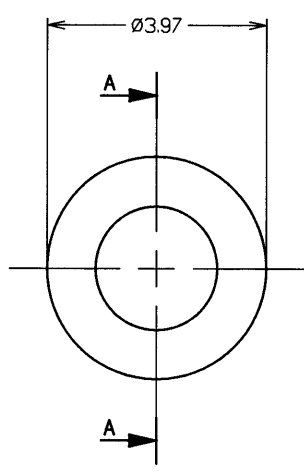
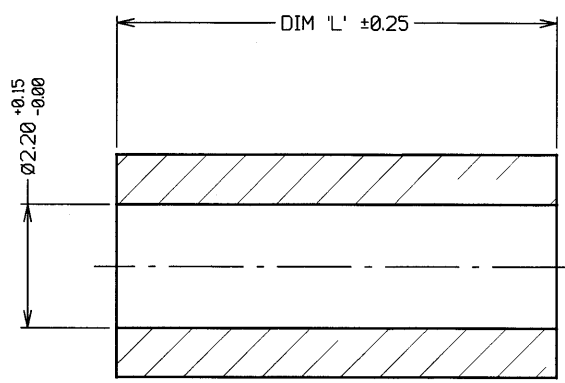
Click to view price, real time Inventory, Delivery & Lifecycle Information:

[Harwin Inc.](#)
[R8280-02](#)

For any questions, you can email us directly:
sales@integrated-circuit.com



DRAWING No.- R8280-02 TO R8284-02 IF IN DOUBT - ASK © NOT TO SCALE THIRD ANGLE PROJECTION ALL DIMENSIONS IN mm



NOTES:
 1. REMOVE ALL BURRS.

PART No.	DIM 'L'	SURFACE AREA
R8280-02	3.18	103.4
R8281-02	6.35	171.0
R8282-02	9.53	238.8
R8283-02	4.76	137.1
R8284-02	7.94	204.9

12	28.11.96	3647
11	05.03.79	----
10	01.11.78	----
ISS.	DATE	C/N
APPROVED: <i>[Signature]</i>		
CHECKED: <i>[Signature]</i>		
DRAWN: W. BOURNE		
CUSTOMER REF.		
ASSEMBLY DRG.		

HARWIN				TOLERANCES X. - ±1mm X.X - ±0.25mm X.XX - ±0.10mm X.XXX - ±0.01mm ANGLES - ±1° UNLESS STATED	MATERIAL: BRASS CZ121 TO BS2874 FINISH: F0203 (NICKEL) S/AREA: SEE TABLE mm ²	TITLE: M2 CIRCULAR CLEARANCE SPACER	
HARWIN INC U.S.A. TEL: (812) 285 0055 FAX: (812) 285 0056	HARWIN PLC U.K. TEL: 01705 370451 FAX: 01705 324010	HARWIN PTE SINGAPORE TEL: 65 7794909 FAX: 65 7793868	HARWIN CONNECTORS KOREA TEL: 822 521 0747 FAX: 822 521 0749			DRAWING NUMBER: R8280-02 TO R8284-02	SHT 1 OF 1