



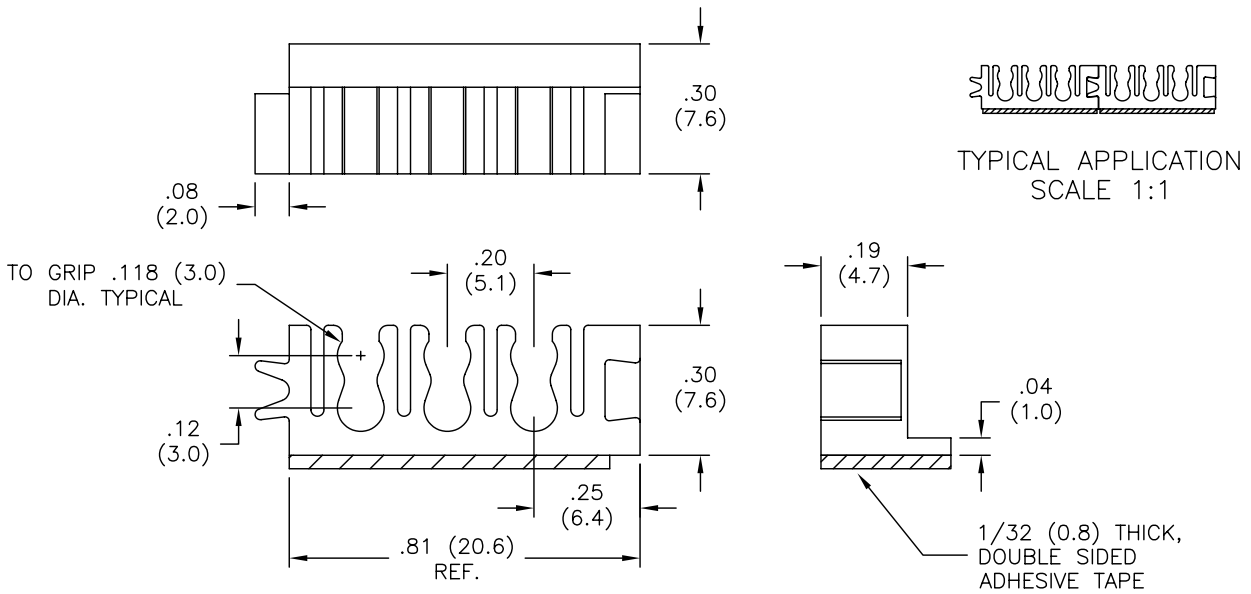
Excellent Integrated System Limited

Stocking Distributor

Click to view price, real time Inventory, Delivery & Lifecycle Information:

[Essentra Components \(formerly Richco, Inc.\)
OFEB-3-19](#)

For any questions, you can email us directly:
sales@integrated-circuit.com



NOTES:

1. MAT'L: FLAME RETARDANT, NYLON 6/6 (RMS-19).
2. COLOR: NATURAL.
3. ACRYLIC ADHESIVE TAPE (RMS-15), WHITE LINER.

TITLE: OPTICAL FIBER EXPANDABLE BRACKET			DWG IN IN (MM)		FINAL	
TOLERANCES UNLESS NOTED .XX=±.010 .XXX=±.005 FRAC=±1/64 ANG=±1°			FILE # OFEB-3	DWN: J.B.	APP:	
RE: RICHCO, INC.			MAT'L: SEE NOTES	DT: 08-26-96	DT:	
B ADDED NOTE 3. AND CHANGED FILE NO. SM 06.10.02			RICHCO INC.		PART #	PRINT TYPE
A HOLDING DIA. CHANGED FROM .125 (3.18) JB 05.19.97			PO BOX 804238, CHICAGO, 60680		OFEB-3-19	CA
REV DESCRIPTION ENGR DATE			(773) 539-4060			