



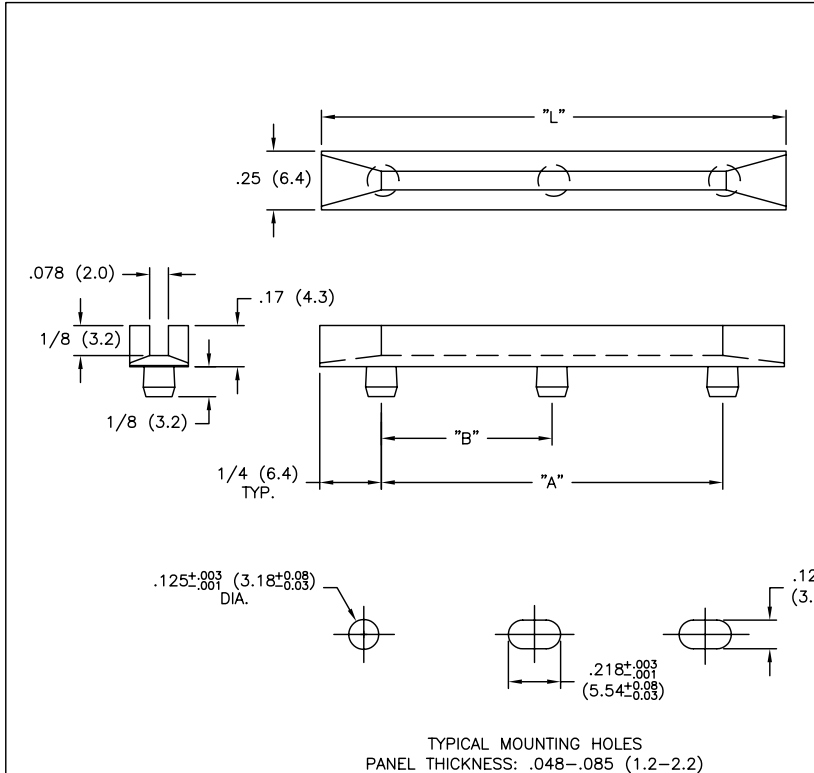
Excellent Integrated System Limited

Stocking Distributor

Click to view price, real time Inventory, Delivery & Lifecycle Information:

[Essentra Components \(formerly Richco, Inc.\)](#)
[RN-700-2](#)

For any questions, you can email us directly:
sales@integrated-circuit.com



PART NO.	"L" ±.030 (±0.8)	"A" ±.024 (±0.6)	"B" ±.016 (±0.4)
RN-250-2	2.5 (63.5)	2.0 (50.8)	-
RN-300-2	3.0 (76.2)	2.5 (63.5)	-
RN-350-2	3.5 (88.9)	3.0 (76.2)	-
RN-400-2	4.0 (101.6)	3.5 (88.9)	-
RN-450-2	4.5 (114.3)	4.0 (101.6)	-
RN-500-2	5.0 (127.0)	4.5 (114.3)	-
RN-550-2	5.5 (139.7)	5.0 (127.0)	-
RN-600-2	6.0 (152.4)	5.5 (139.7)	-
RN-650-2	6.5 (164.1)	6.0 (152.4)	-
RN-700-2	7.0 (177.8)	6.5 (164.1)	-
RN-700-3	7.0 (177.8)	6.5 (164.1)	3.25 (82.2)
RN-750-2	7.5 (190.5)	7.0 (177.8)	-
RN-750-3	7.5 (190.5)	7.0 (177.8)	3.5 (88.5)
RN-800-2	8.0 (203.2)	7.5 (190.5)	-
RN-800-3	8.0 (203.2)	7.5 (190.5)	3.75 (94.9)
RN-850-2	8.5 (215.5)	8.0 (203.2)	-
RN-850-3	8.5 (215.5)	8.0 (203.2)	4.0 (101.6)

TYPICAL MOUNTING HOLES
PANEL THICKNESS: .048-.085 (1.2-2.2)

NOTES:

- MAT'L: NYLON 6/6 (RMS-48).
FLAME RETARDANT, NYLON (RMS-19),
AVAILABLE BY SPECIAL ORDER ONLY.
- COLOR: NATURAL.

REV	DESCRIPTION	ENGR	DATE
A	ADDED FLAME RET. TO NOTES; CHANGED FILE NO.	SM	02.21.02

TITLE: NARROW CARD GUIDE (RN)				DWG IN IN(mm)	FINAL
TOLERANCES UNLESS NOTED .XX=±.010 .XXX=±.005 FRAC=±1/64 ANG=±1°	FILE # RN	DWN: J.B.	APP:	PART #	
	MAT'L: SEE NOTES	DT: 04-08-97	DT:	SEE CHART	
	RE: RICHCO, INC.	RICHCO INC. PO BOX 804238, CHICAGO, 60680 (773) 539-4060		PRINT TYPE CA	