



Excellent Integrated System Limited

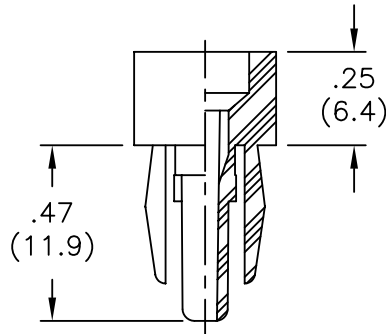
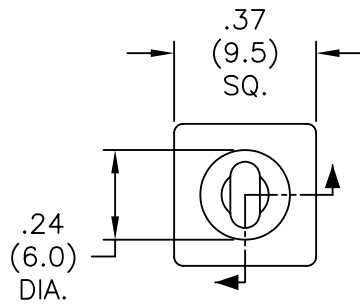
Stocking Distributor

Click to view price, real time Inventory, Delivery & Lifecycle Information:

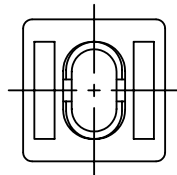
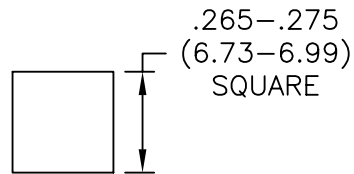
[Essentra Components \(formerly Richco, Inc.\)](#)
[SG8-250-81](#)

For any questions, you can email us directly:

sales@integrated-circuit.com



MOUNTING HOLE



PANEL THICKNESS

.020 TO .140
(0.51 TO 3.56)

NOTES:

- MAT'L NYLON 6/6 (RMS-81)
COLOR: NATURAL
- MOUNTING SCREW: # 8 OR 10
SELF TAPPING

B	CHANGED FILE NO.	SM 10.03.02
A	CHANGED P/N TO SG8-250-81	J.L. 3/22/99
R E V	DESCRIPTION	ENGR DATE

TITLE: SCREW GROMMET



TOLERANCES UNLESS NOTED .XX=±.010 .XXX=±.005 FRAC=±1/64 ANG=±1°	FILE # SG8-250	DWN: J.B.	APP:	FINAL	
	MAT'L: SEE NOTES	DT: 07-15-98	DT:	PART #	PRINT
	RE: RICHCO, INC.	RICHCO INC. PO BOX 804238, CHICAGO, 60680 (773) 539-4060		SG8-250-81	TYPE CA