

Excellent Integrated System Limited

Stocking Distributor

Click to view price, real time Inventory, Delivery & Lifecycle Information:

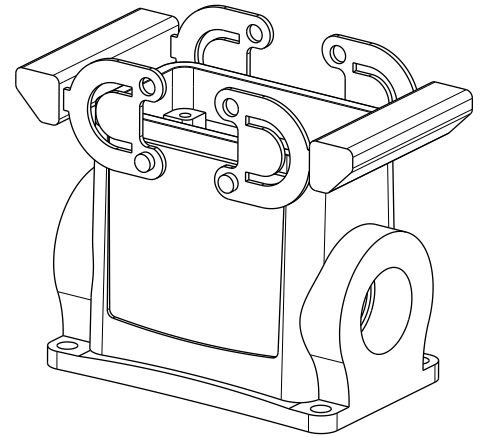
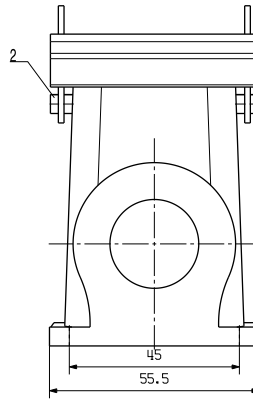
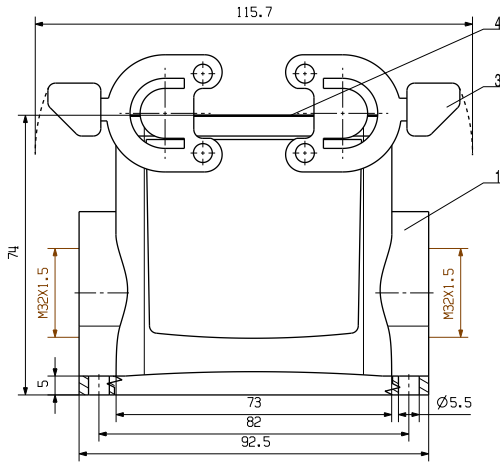
[Weidmüller](#)
[1787360000](#)

For any questions, you can email us directly:

sales@integrated-circuit.com

MASSE OHNE TOLERANZ SIND KEINE PRUEFMASSE
 DIMS. WITHOUT TOLERANCE ARE NOT CONTROL DIMS

WEITERGABE SOWIE Vervielfaechigung, dieses Dokuments, Vervielfaechigung, dieses Dokuments, Vervielfaechigung, dieses Dokuments, SOWIE NICHT AUSDRUECKLICH GESTATET.
 ZUMIEDERHANDLUNGEN, VERPFLICHTEN ZU SCHADENSERSATZ, ALLE RECHTE FÜR DEN PATENT-, GEBRAUCHSPATENT-, ODER GESCHMACKSMUSTEREINWIRKUNG VORBEHALTEN.
 THE REPRODUCTION, DISTRIBUTION AND UTILIZATION OF THIS DOCUMENT AS WELL AS THE COMMUNICATION OF ITS CONTENTS TO OTHERS WITHOUT EXPLICIT AUTHORIZATION IS PROHIBITED.
 OFFENDERS WILL BE HELD LIABLE FOR THE PAYMENT OF DAMAGES. ALL RIGHTS RESERVED IN THE EVENT OF THE GRANT OF A PATENT, UTILITY MODEL OR DESIGN.



4	SEALING	NBR
3	LOCKING	STAINLESS STEEL
2	LOCKING BOLTS	STAINLESS STEEL
1	BASE HOUSING	ALUMINIUM WITH POWDER COATING
ROHSTOFF-NR. R. PART NO.	TYP PART NAME	WERKSTOFF MATERIAL

MAX. NRN./NOS. ?		MODIFICATION				DRAWING NO.		ISSUE NO.	
SCALE: 1/1		DATE		NAME		CAT. NO.: 1787360000			
RESPONSIBLE		04.11.2005		LIU_F		HDC 24D SBU 2M32G SOCKELGEHÄUSE BASE HOUSING			
SUPERSEDES:		CHECKED		30.11.2005 ZHANG_T				PRODUCT FILE:	
SUPERSEDED BY:		APPROVED							