



Excellent Integrated System Limited

Stocking Distributor

Click to view price, real time Inventory, Delivery & Lifecycle Information:

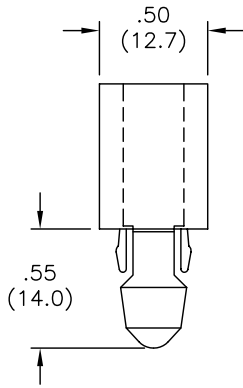
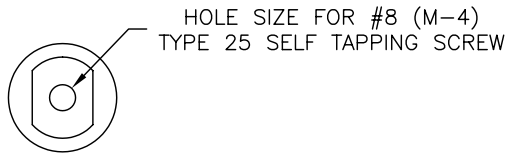
[Essentra Components \(formerly Richco, Inc.\)](#)

[SN-125](#)

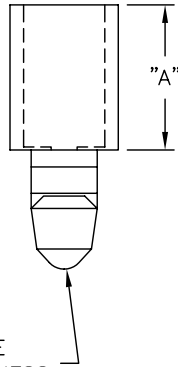
For any questions, you can email us directly:

sales@integrated-circuit.com

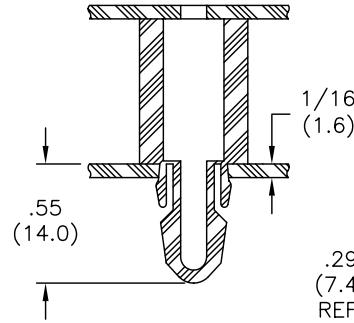
PART NO.	"A"
	±.015(0.4)
SN-125	1/8 (3.2)
SN-187	3/16 (4.8)
SN-250	1/4 (6.4)
SN-312	5/16 (7.9)
SN-375	3/8 (9.5)
SN-500	1/2 (12.7)



TO FIT IN A .312 (7.9) SQUARE HOLE, 1/16 (1.6) NOM. BD. THICKNESS



CLEARANCE HOLE FOR #8 (M-4)



TYPICAL APPLICATION

NOTES:

- MAT'L: POLYCARBONATE (RMS-03)
COLOR: CLEAR

B	CHANGED FILE NO. AND TITLE BLOCK	SM 05.16.01
A	.29 DIM WAS .41	JB 05.15.96
REV	DESCRIPTION	ENGR DATE

TITLE: SPACER NUT				DWG IN IN (MM)	FINAL	PRINT TYPE
TOLERANCES UNLESS NOTED .XX=±.010 .XXX=±.005 FRAC=1/64 ANG=1°	FILE # SN	DWN: P.B.	APP:			
	MAT'L: SEE NOTES	DT: 07-12-94	DT:			
	RE: RICHCO, INC.	RICHCO INC. PO BOX 804238, CHICAGO, 60680 (773) 539-4060		PART #	SEE TABLE	CA