



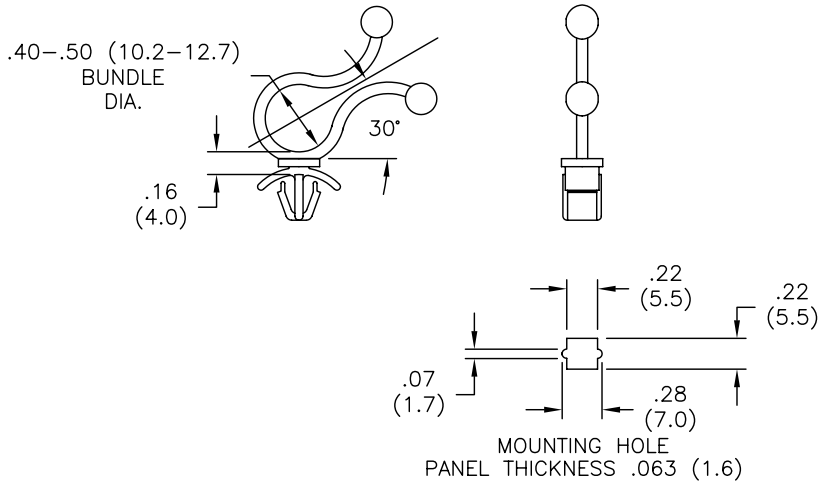
Excellent Integrated System Limited

Stocking Distributor

Click to view price, real time Inventory, Delivery & Lifecycle Information:

[Essentra Components \(formerly Richco, Inc.\)](#)
[TLSE-450-SH-01](#)

For any questions, you can email us directly:
sales@integrated-circuit.com



NOTES:

- MAT'L: NYLON 66 (RMS-01)
FLAME RETARDANT NYLON (RMS-19)
AVAILABLE BY SPECIAL REQUEST.
- COLOR: NATURAL

A		CHANGED NOTE 1 & CHANGED FILE #	SJ 03.13.02	TITLE: TWIST LOCK SIDE ENTRY SQUARE HOLE		⊕	DWG IN IN(MM)	FINAL	PRINT TYPE
REV		DESCRIPTION	ENGR DATE	TOLERANCES UNLESS NOTED .XX=±.010 .XXX=±.005 FRAC=±1/64 ANG=±1°	FILE # TL-SE MAT'L: SEE NOTES RE: RICHCO, INC.	DWN: J.B. DT: 01-17-97	APP: DT:	PART # TL-SE-450-SH-01	CA
				RICHCO INC. PO BOX 804238, CHICAGO, 60680 (773) 539-4060					