

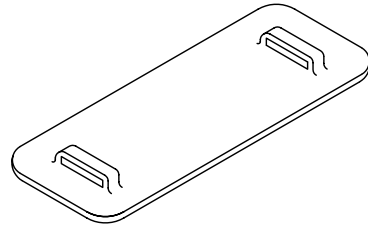
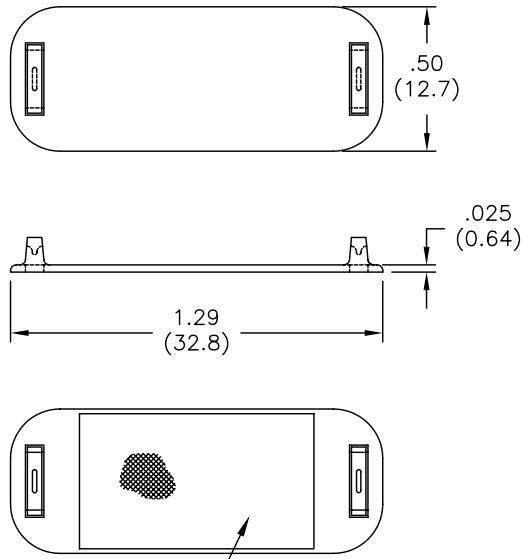
Excellent Integrated System Limited

Stocking Distributor

Click to view price, real time Inventory, Delivery & Lifecycle Information:

[Essentra Components \(formerly Richco, Inc.\)](#)
[WIT-MK-1](#)

For any questions, you can email us directly:
sales@integrated-circuit.com



MATTED SURFACE TO
 ACCEPT INK OR PENCIL

NOTES:

1. MAT'L: NYLON 66 (RMS-01)
 COLOR: NATURAL
2. ACCEPTS -30, -50, -60 SERIES
 WRAP-IT TIES.

B	CHANGED FILE NO.	SM 03.18.02
A	P/N Wit-mk-1 was Wit-mk	JL 6.9.00
REV	DESCRIPTION	ENGR DATE

TOLERANCES UNLESS NOTED .XX=±.010 .XXX=±.005 FRAC=±1/64 ANG=±1°		FILE # WIT-MK	DWN: J.B.	APP:	DWG IN IN (MM)	
MAT'L: SEE NOTES		DT: 06-12-96	DT:	FINAL		
RE: RICHCO, INC.		RICHCO INC. PO BOX 804238, CHICAGO, 60680 (773) 539-4060		PART #	PRINT TYPE	
				WIT-MK-1	CA	