



## **Excellent Integrated System Limited**

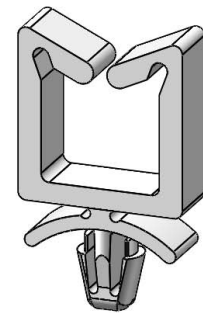
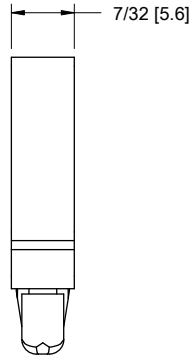
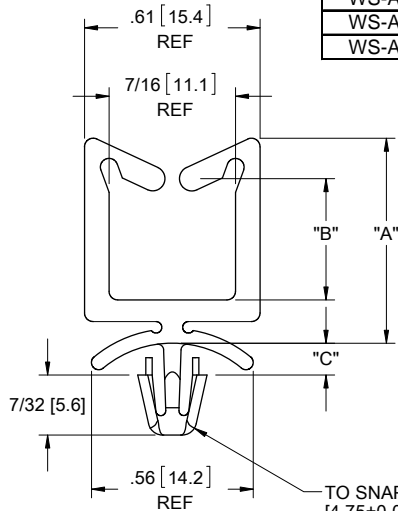
Stocking Distributor

Click to view price, real time Inventory, Delivery & Lifecycle Information:

[Essentra Components \(formerly Richco, Inc.\)](#)  
[WS-A-1-01](#)

For any questions, you can email us directly:  
[sales@integrated-circuit.com](mailto:sales@integrated-circuit.com)

PART NO.		DIM. "A" REF	DIM. "B" REF	DIM. "C" REF	PANEL THICKNESS
NYLON 6/6 UL 94 V-2 (RMS-01)	NYLON 6/6 UL 94 V-0 (RMS-19)				
WS-A-1-01	WS-A-1-19	.52 [13.2]	.19 [4.8]	.11 [2.8]	1/16 [1.6]
WS-A-2-01	WS-A-2-19	.71 [18]	.38 [9.7]		
WS-A-3-01	WS-A-3-19	1.07 [27.2]	.74 [18.8]		
WS-A-4-01	WS-A-4-19	1.38 [35]	1.05 [26.7]	.15 [3.8]	1/8 [3.2]
WS-A-2-1-01	WS-A-2-1-19	.52 [13.2]	.19 [4.8]		
WS-A-2-2-01	WS-A-2-2-19	.71 [18]	.38 [9.7]		
WS-A-2-3-01	WS-A-2-3-19	1.07 [27.2]	.74 [18.8]		
WS-A-2-4-01	WS-A-2-4-19	1.38 [35]	1.05 [26.7]		



- NOTES:  
 1. COLOR: NATURAL.  
 2. ALTERNATE UNITS FOR REFERENCE ONLY.  
 3. MATERIAL: NYLON 6/6 UVB (RMS-46).  
 COLOR BLACK. AVAILABLE BY SPECIAL ORDER ONLY.  
 TO ORDER REPLACE "-01" WITH "-UVB".

TO SNAP-LOCK IN A .187±.003  
 [4.75±0.08] DIA. HOLE, IN A  
 PANEL THICKNESS INDICATED

F SEE CO 200341 FOR CHANGES SK 03/17/09 E SEE CO 200033 FOR CHANGES SK 09/25/07 D REDRAWN, SEE ECN #1333 FOR CHANGES SK 06/13/07 - SEE ENGINEERING FOR REV A-C REV. DESCRIPTION ENGR. DATE			CREATED USING SOLIDWORKS TOLERANCES UNLESS NOTED .XX±.010 .XXX±.005 FRAC±.1/64 ANG±.1°			<b>TITLE: WIRE SADDLE W/ ARROWHEAD</b> FILE #: WS-A SHEET: 1 OF 1 SHEET SIZE: A RE: RICHCO, INC.			DWG IN IN [MM] FINAL			
DWN: SK DT: 06/13/07						APP: RT CHKD: RG		PART # <b>SEE TABLE</b>		PRINT TYPE <b>CA</b>		
RICHCO, INC. ENG@RICHCO-INC.COM (773) 539-4060												