

## Excellent Integrated System Limited

Stocking Distributor

Click to view price, real time Inventory, Delivery & Lifecycle Information:

[Intel](#)

[E28F008S5120](#)

For any questions, you can email us directly:

[sales@integrated-circuit.com](mailto:sales@integrated-circuit.com)



# **5 VOLT FlashFile™ MEMORY**

## **28F004S5, 28F008S5, 28F016S5 (x8)**

### **SPECIFICATION UPDATE**

Release Date: February, 1999

Order Number: 297796-007

The 28F004S5, 28F008S5, and 28F016S5 may contain design defects or errors known as errata which may cause the product to deviate from published specifications. Current characterized errata are documented in this Specification Update.

## 28F004S5/28F008S5/28F016S5 SPECIFICATION UPDATE



Information in this document is provided in connection with Intel products. No license, express or implied, by estoppel or otherwise, to any intellectual property rights is granted by this document. Except as provided in Intel's Terms and Conditions of Sale for such products, Intel assumes no liability whatsoever, and Intel disclaims any express or implied warranty, relating to sale and/or use of Intel products including liability or warranties relating to fitness for a particular purpose, merchantability, or infringement of any patent, copyright or other intellectual property right. Intel products are not intended for use in medical, life saving, or life sustaining applications.

Intel may make changes to specifications and product descriptions at any time, without notice.

The 28F004S5, 28F008S5 and 28F016S5 may contain design defects or errors known as errata which may cause the product to deviate from published specifications. Current characterized errata are available upon request.

Contact your local Intel sales office or your distributor to obtain the latest specifications and before placing your product order.

Copies of documents which have an ordering number and are referenced in this document, or other Intel literature, may be obtained from:

Intel Corporation  
P.O. Box 5937  
Denver, CO 80217-9808

or call 1-800-548-4725  
or visit Intel's Website at <http://www.intel.com>

COPYRIGHT © INTEL CORPORATION 1997, 1998, 1999

CG-041493

\*Third-party brands and names are the property of their respective owners.



## **CONTENTS**

REVISION HISTORY .....	1
PREFACE .....	2
SUMMARY TABLES OF CHANGES.....	3
IDENTIFICATION INFORMATION .....	6
ERRATA.....	7
SPECIFICATION CHANGES .....	13
SPECIFICATION CLARIFICATIONS .....	13
DOCUMENTATION CHANGES .....	13



**Distributor of Intel: Excellent Integrated System Limited**

Datasheet of E28F008S5120 - IC FLASH 8MBIT 120NS 40TSOP

Contact us: [sales@integrated-circuit.com](mailto:sales@integrated-circuit.com) Website: [www.integrated-circuit.com](http://www.integrated-circuit.com)

---



28F004S5/28F008S5/28F016S5 SPECIFICATION UPDATE

REVISION HISTORY

Date of Revision	Version	Description
09/10/96	-001	Document includes all known errata to date (original version).
12/01/96	-002	Removed CE# glitch sensitivity erratum. Added RP# Control erratum.
02/01/97	-003	Added I <sub>PPS</sub> erratum.
04/04/97	-004	Modified block locking and unlocking erratum Added PSOP pinout correction Change specification update title Added 16-Mbit I <sub>CCR</sub> erratum
06/05/97	-005	Added 16-Mbit block locking and unlocking erratum
08/02/97	-006	Changed status of Erratum #1, Deep Power-Down Current Changed status of Erratum #2, Block Locking and Un-Locking Changed status of Erratum #4, RP# Control during Power-Up
02/16/99	-007	Previous Documentation Change indicating PSOP pinout graphic error deleted; incorporated into <i>5 Volt FlashFile™ Memory; 28F004S5, 28F008S5, 28F016S5</i> datasheet. Specification Update renamed from <i>Byte-Wide Smart 5 FlashFile™ Memory Family Specification Update</i> . Reference to datasheet modified to reflect new datasheet name.

28F004S5/28F008S5/28F016S5 SPECIFICATION UPDATE



**PREFACE**

The Intel® Computing Enhancement Group has consolidated available historical device and documentation errata into this new document type called the Specification Update. We have endeavored to include all documented errata in the consolidation process, however, we make no representations or warranties concerning the completeness of the Specification Update.

This document is an update to the specifications contained in the Affected Documents/Related Documents table below. This document is a compilation of device and documentation errata, specification clarifications and changes. It is intended for hardware system manufacturers and software developers of applications, operating systems, or tools.

Information types defined in Nomenclature are consolidated into the specification update and are no longer published in other documents.

This document may also contain additional information that was not previously published. Functional descriptions for this product are found in the *5 Volt FlashFile™ Memory; 28F004S5, 28F008S5, 28F016S5* datasheet.

**Affected Documents/Related Documents**

Title	Order
5 Volt FlashFile™ Memory; 28F004S5, 28F008S5, 28F016S5 datasheet	290597-005

**Nomenclature**

**Errata** are design defects or errors. These may cause the behavior of these products to deviate from published specifications. Hardware and software designed to be used with any given stepping must assume that all errata documented for that stepping are present on all devices.

**Specification Changes** are modifications to the current published specifications.

**Specification Clarifications** describe a specification in greater detail or further highlight a specification’s impact to a complex design situation.

**Documentation Changes** include typos, errors, or omissions from the current published specifications.



## 28F004S5/28F008S5/28F016S5 SPECIFICATION UPDATE

### NOTE:

Errata remain in the specification update throughout the product's lifecycle, or until a particular stepping is no longer commercially available. Under these circumstances, errata removed from the specification update are archived and available upon request. Specification changes, specification clarifications and documentation changes are removed from the specification update when the appropriate changes are made to the appropriate product specification or user documentation (datasheets, manuals, etc.).



28F004S5/28F008S5/28F016S5 SPECIFICATION UPDATE



## SUMMARY TABLES OF CHANGES

The following tables indicate the Specification Changes, Errata, Specification Clarifications, or Documentation Changes which apply to the *5 Volt FlashFile™ Memory; 28F004S5, 28F008S5, 28F016S5* datasheet. Intel may fix some of the errata in a future stepping of the component, and to account for the other outstanding issues through documentation or specification changes as noted. These tables use the following notations:

### Codes Used in Summary Tables

#### Steps

- X: Errata exists in the stepping indicated. Specification Change or Clarification that applies to this stepping.
- (No mark)  
or (Blank box): This erratum is fixed in listed stepping or specification change does not apply to listed stepping.

#### Page

- (Page): Page location of item in this document.

#### Status

- Doc: Document change or update will be implemented.
- Fix: This erratum is intended to be fixed in a future step of the component.
- Fixed: This erratum has been previously fixed.
- NoFix: There are no plans to fix this erratum.
- Eval: Plans to fix this erratum are under evaluation.

#### Row

- | Change bar to left of table row indicates this erratum is either new or modified from the previous version of the document.



28F004S5/28F008S5/28F016S5 SPECIFICATION UPDATE

**Errata**

#	Density						Page	Status	Errata
	4-Mbit Steppings	8-Mbit Steppings				16-Mbit Steppings			
	A-0	A-1, A-3	A-6	A-8	B-0	A-0			
1		X	X	X			7	Fixed	Deep Power-Down Current
2		X	X	X			8	Fixed	Block Locking and Unlocking
3		X					9	Fixed	CE# Glitch Sensitivity
4		X	X	X			11	Fixed	RP# Control during Power-Up
5		X	X	X			12	Eval	V <sub>PP</sub> Standby Current
6						X	13	Eval	Active Read Current

**Specification Changes**

#	Density						Page	Status	Errata
	4-Mbit Steppings	8-Mbit Steppings				16-Mbit Steppings			
	A-0	A-1, A-3	A-6	A-8	B-0	A-0			
N/A							13		None in this Specification Update revision.

**Specification Clarifications**

#	Density						Page	Status	Errata
	4-Mbit Steppings	8-Mbit Steppings				16-Mbit Steppings			
	A-0	A-1, A-3	A-6	A-8	B-0	A-0			
N/A							13		None in this Specification Update revision.

**Documentation Changes**

#	Document Revision	Page	Status	Documentation Changes
N/A				None in this Specification Update revision.



## IDENTIFICATION INFORMATION

### Markings

The Finished Processing Order (FPO) number correlates to a specific device stepping as illustrated in the table below:

Density	Stepping <sup>(1,2)</sup>	Identifier
4-Mbit	A-0	Ninth digit on topside FPO mark (third line) = Any alphabetic letter
8-Mbit	A-1,-3	Ninth digit on topside FPO mark (third line) = J, K, L, M, or N
	A-6	Ninth digit on topside FPO mark (third line) = P or Q
	A-8	Ninth digit on topside FPO mark (third line) = U or V
	B-0	Ninth digit on topside FPO mark (third line) = W
16-Mbit	A-0	Ninth digit on topside FPO mark (third line) = Any alphabetic letter

NOTE:

1. Device steppings are based on continuous updates made in manufacturing and testing of the device and represent the current material shipped.
2. 8-Mbit A-0, -2, -4, -5, and -7 material was never sampled.



## ERRATA

### 1. Deep Power-Down Current

**PROBLEM:**  $I_{CCD}$  deviates from the published specification. Please replace the existing datasheet specification with the following information:

Sym	Parameter	Notes	5.0V $V_{CC}$		Unit	Test Conditions
			Typ	Max		
$I_{CCD}$	$V_{CC}$ Deep Power-Down Current	1		16	$\mu A$	RP# = GND $\pm$ 0.2V $I_{OUT}$ (RY/BY#) = 0 mA

**NOTE:**

- All currents are in RMS unless otherwise noted. These currents are valid for all product versions (packages and speeds).

**IMPLICATION:** The increased current requirements may have an impact on power supply loading or battery life.

**WORKAROUND:** None.

**STATUS:** This erratum has been fixed. Refer to the Summary Tables of Changes to determine the affected stepping(s).

**AFFECTED PRODUCTS:** Refer to the Summary Tables of Changes to determine the affected products and stepping(s).

## 28F004S5/28F008S5/28F016S5 SPECIFICATION UPDATE



## 2. *Block Locking and Unlocking*

**PROBLEM:** For the 8- and 16-Mbit devices that are effected by this erratum, the block unlocking security feature is currently nonfunctional. Attempts to unlock blocks, using the clear block lock-bits command sequence, may cause subsequent program and/or block erase failures. The failure is seen as a device protection error in the status register.

**IMPLICATION:** Block unlocking feature is disabled. This erratum effects the following command, Clear Block Lock-Bits. Locking blocks using the Set Block Lock-bits command (while RP# is equal to 12 volts) is still supported.

**WORKAROUND:** To prevent accidental software block lock-bit clearing, Intel permanently sets the master lock-bit during the test flow. This disables the ability to lock and unlock blocks via software only with RP# =  $V_{IH}$ . Block locking and unlocking requires 12V on the component's RP# input when the master lock-bit is set. Don't execute the clear block lock-bits command sequence when 12V is applied to RP#. Instead, simply override the block locking mechanism by applying 12V to RP# to enable program/erase operations that target locked blocks.

If data security is of utmost importance, lower  $V_{PP}$  voltage equal to or less than  $V_{PPLK}$  during normal operations. With  $V_{PP}$  equal to or less  $V_{PPLK}$ , the device is protected against all data manipulation operations.

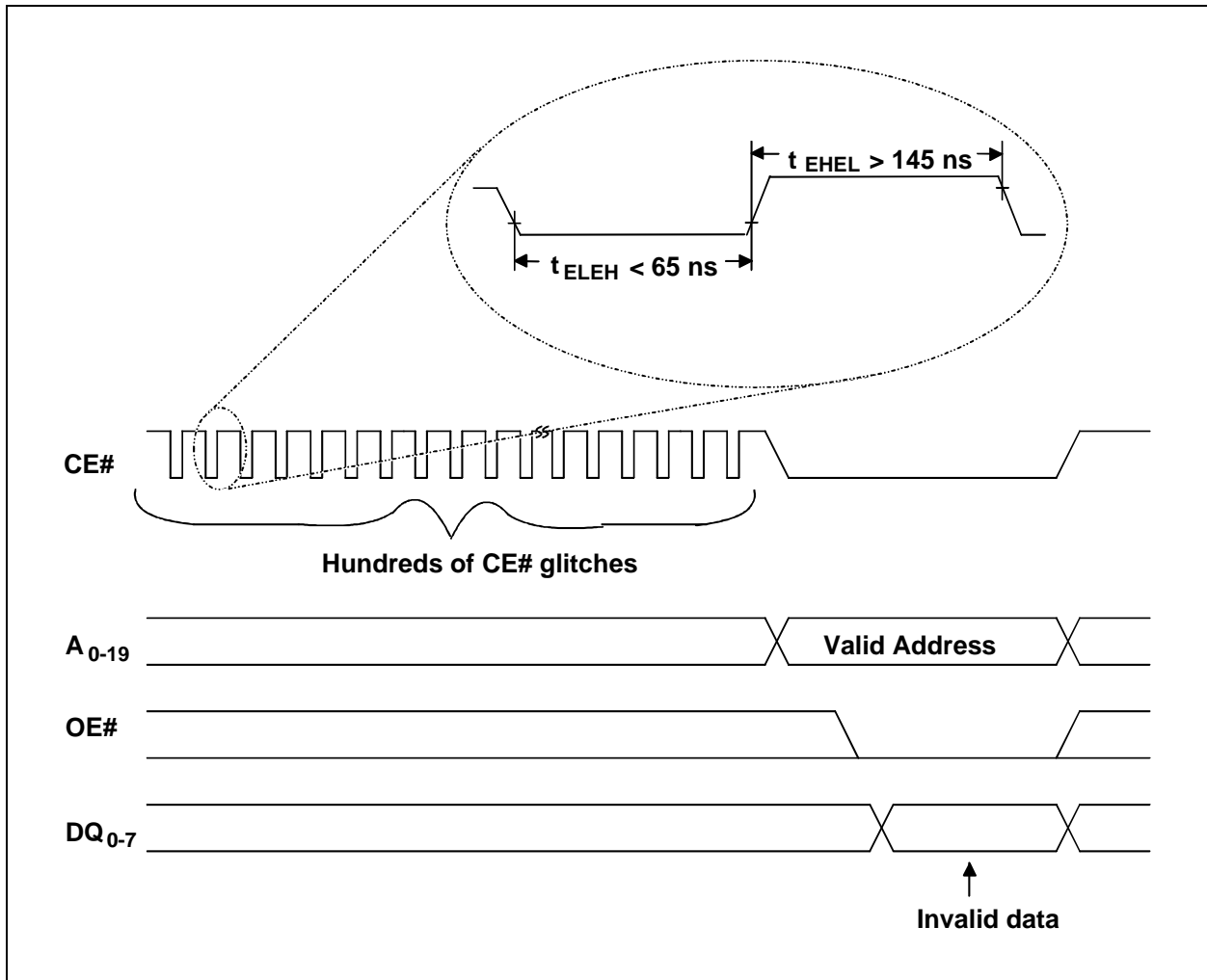
**STATUS:** This erratum has been fixed. Refer to the Summary Tables of Changes to determine the affected stepping(s).

**AFFECTED PRODUCTS:** 8-Mbit A-1, -3, -6, and -8 steppings and 16-Mbit A-0 stepping produced before work week 22 of 1997 (second digit on topside FPO marking specifies the last digit in the year and the third and fourth indicate the work week) are affected by this erratum.



### 3. CE# Glitch Sensitivity

**PROBLEM:** A noisy CE# control signal may cause an invalid read. This erroneous read only occurs after the device has received over one hundred consecutive short CE# glitches ( $t_{EHL} < 65 \text{ ns}$ ) with CE#-high time ( $t_{EHEL}$ ) greater than 145 ns (see the figure below, *A Long Series of CE# Glitches May Induce an Invalid Read*).



**A Long Series of CE# Glitches May Induce an Invalid Read**

After valid data is read, the device must receive another series of CE# glitches (typically over one hundred) to induce an invalid read.

**28F004S5/28F008S5/28F016S5 SPECIFICATION UPDATE**



**IMPLICATION:** This erratum may affect read operations in systems that have a lot of noise on the flash memory's CE# input. If CE# is generated asynchronously from the upper address lines, noise on CE# can sometimes occur when upper address lines transition from one state to another. However, applications that access flash memory sequentially will have stable upper address lines and will therefore produce fewer CE# glitches. Systems that execute code from flash memory or download code from flash memory into DRAM will usually access the device sequentially; therefore, they will be less susceptible to this erratum.

Carefully analyze the flash memory CE# input. If glitches are detected, more in-depth system characterization is need to identify susceptibility to this erratum.

It is important to understand how these glitches manifest themselves in order to determine whether or not they will cause a problem.

1. In systems that flow unlatched addresses to CE# control logic, the decode logic may generate CE# glitches when the address bus transitions from one state to another. However, the processor's address switching frequency is usually very fast (somewhere in the order of 1/2 the processor's operating frequency) which will cause the glitches high time to be less than 145 ns. If the CE#-high time is less than 145 ns, the glitch has no effect on the component.

Note: Most processor's with integrated chip select logic use latched outputs and therefore may not have CE# glitches.

2. If the address bus is not pulled up or pulled down during idle bus cycles, the address bus may be left in an undetermined state. This condition may cause CE# glitches.

**WORKAROUND:** If it is determined that the CE# causes a problem, possible solutions to help workaround this erratum are suggested as follows.

**Hardware solution:**

Add system logic to prevent CE# glitches such as latched CE# control logic or pullup/pulldown resistors to the address bus.

**Software solution for data storage applications:**

If the device receives over one hundred consecutive CE# glitches, issue a Byte Write command and program FFh to any location before executing a read operation. Programming FFh will not alter stored data, but it will give the component sufficient time to prepare for the read operation.

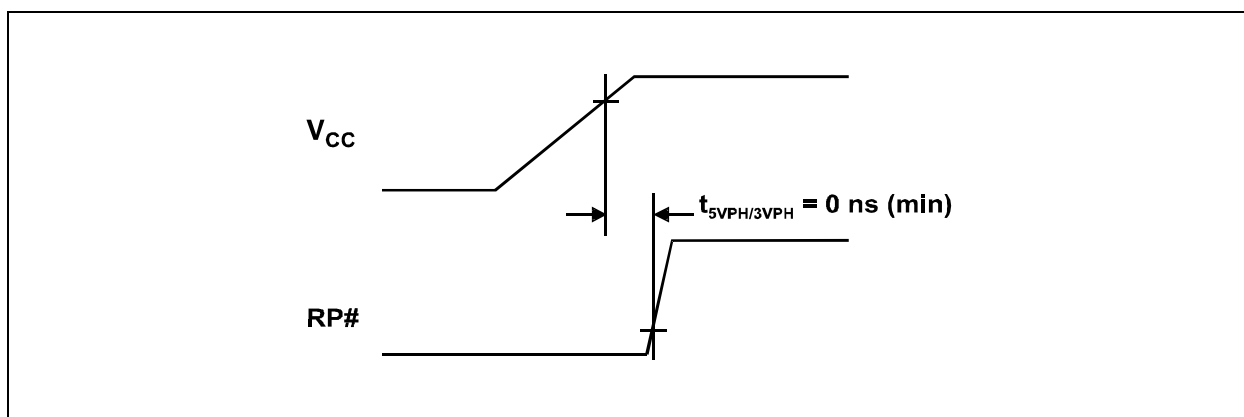


**STATUS:** This erratum has been fixed. Refer to the Summary Tables of Changes to determine the affected stepping(s).

**AFFECTED PRODUCTS:** Refer to the Summary Tables of Changes to determine the affected products and stepping(s).

#### 4. *RP# Control during Power-Up*

**PROBLEM:** RP# must be held low while V<sub>CC</sub> ramps to a valid level during power transitions.



**Hold RP# Active While V<sub>CC</sub> Ramps**

Holding RP# low during power-up blocks spurious writes initiated by system control logic which may occur as the system voltage transitions to a stable level. Intel recommends the use of RP# for CPU/memory reset synchronization, write protection, and deep power-down mode.

**IMPLICATION:** This erratum only affects power-up operations. Systems that tie the flash memory's RP# input to the system RESET# signal typically will not have a problem with erratum because the RESET# signal is usually held low during the power-up sequence to properly synchronize the CPU. However, systems that tie RP# directly to V<sub>CC</sub> will be more exposed to this problem. So, carefully analyze RP# during the power-up condition to fully understand its behavior.

**WORKAROUND:** If it is determined that this erratum may cause a problem, here is a possible workaround:



28F004S5/28F008S5/28F016S5 SPECIFICATION UPDATE



Use a simple RC delay network to hold RP# low during the power-up condition or tie the RP# input to the system RESET# signal. This workaround will eliminate your exposure to this problem and also provide your design with addition power-up security.

**STATUS:** This erratum has been fixed. Refer to the Summary Tables of Changes to determine the affected stepping(s).

**AFFECTED PRODUCTS:** Refer to the Summary Tables of Changes to determine the affected products and stepping(s).

**5.  $V_{PP}$  Standby Current**

**PROBLEM:** With  $V_{PP}$  at GND,  $I_{PPS}$  deviates from the published value. This deviation only affects the negative current specification listed in the datasheet. The positive current value, +15  $\mu$ A, remains valid. See the table below for the modified negative  $I_{PPS}$  current specification.

Sym	Parameter	Notes	5.0V $V_{CC}$		Unit	Test Conditions
			Typ	Max		
$I_{PPS}$	$V_{PP}$ Standby Current	1		-300	$\mu$ A	$V_{PP} = \text{GND}$

**NOTE:**

- All currents are in RMS unless otherwise noted. These currents are valid for all product versions (packages and speeds).

If  $V_{PP}$  is greater than or equal to  $V_{CC}$ ,  $I_{PPS}$  adheres to the datasheet specification of  $\pm 15 \mu$ A.

**IMPLICATION:** This erratum only affects systems that switch  $V_{PP}$  to GND.

**WORKAROUND:** None.

**STATUS:** Plans to fix this erratum are under evaluation. Refer to the Summary Tables of Changes to determine the affected stepping(s).

**AFFECTED PRODUCTS:** Refer to the Summary Tables of Changes to determine the affected products and stepping(s).



## 6. Active Read Current

**PROBLEM:**  $I_{CCR}$  deviates from the published specification. Please replace the existing datasheet specification with the following information:

Sym	Parameter	Notes	5V $V_{CC}$		Unit	Test Conditions
			Typ	Max		
$I_{CCR}$	$V_{CC}$ Read Current	1,2,3		38	mA	CMOS Inputs $V_{CC} = V_{CC} \text{ Max}$ , $CE\# = \text{GND}$ $f = 5 \text{ MHz}$ , $I_{OUT} = 0 \text{ mA}$

**NOTES:**

1. All currents are in RMS unless otherwise noted. These currents are valid for all product versions (packages and speeds).
2. Automatic Power Savings (APS) reduces typical  $I_{CCR}$  to 1 mA in static operation.
3. CMOS inputs are either  $V_{CC} \pm 0.2V$  or  $\text{GND} \pm 0.2V$ . TTL inputs are either  $V_{IL}$  or  $V_{IH}$ .

**IMPLICATION:** The increased current requirements may have an impact on power supply loading or battery life.

**WORKAROUND:** None.

**STATUS:** Plans to fix this erratum are under evaluation. Refer to the Summary Tables of Changes to determine the affected stepping(s).

**AFFECTED PRODUCTS:** Refer to the Summary Tables of Changes to determine the affected products and stepping(s).

## SPECIFICATION CHANGES

There are no specification changes in this Specification Update revision.

## SPECIFICATION CLARIFICATIONS

There are no specification clarifications in this Specification Update revision.

## DOCUMENTATION CHANGES

There are no documentation changes in this Specification Update revision.