

## Excellent Integrated System Limited

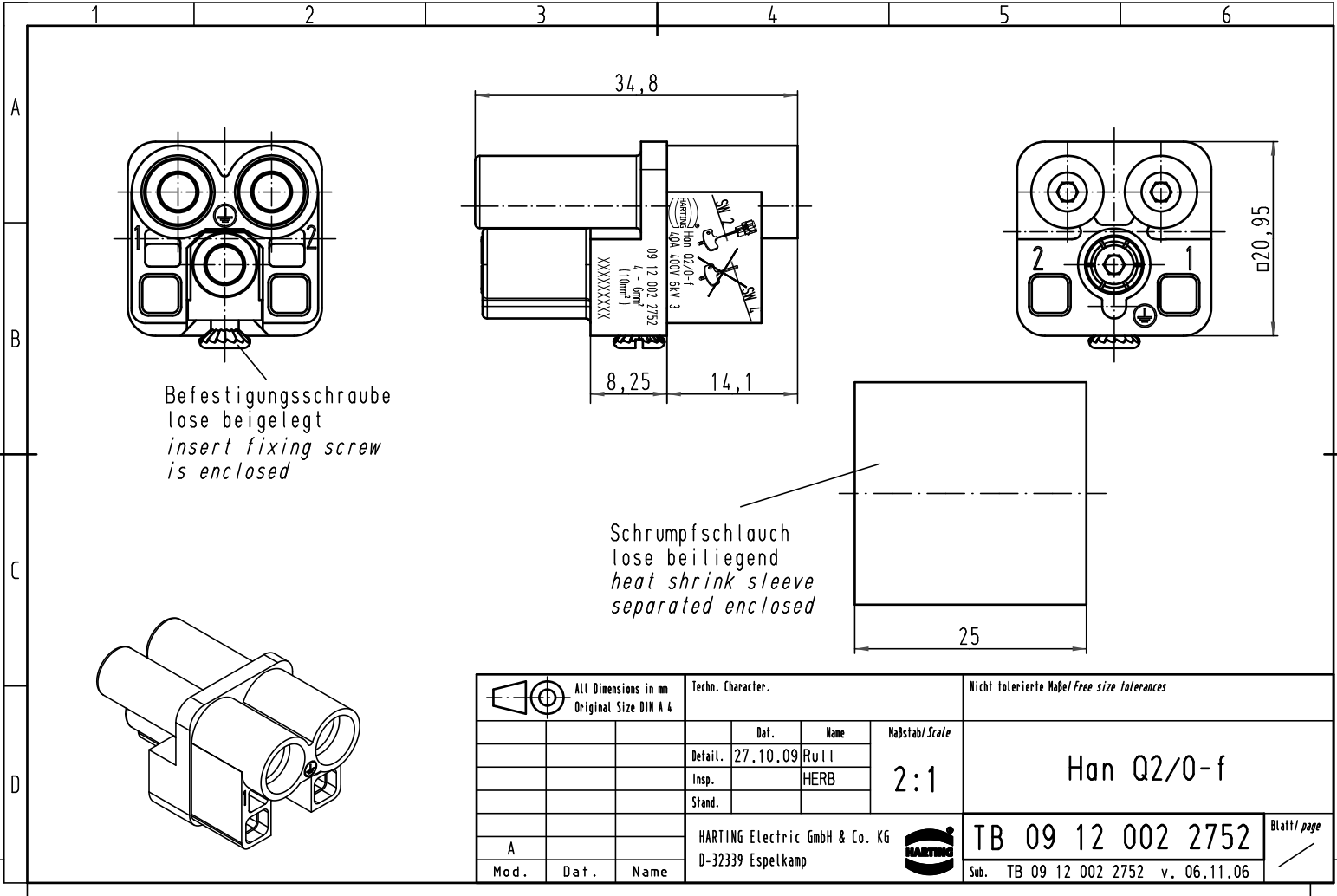
Stocking Distributor

Click to view price, real time Inventory, Delivery & Lifecycle Information:

[Harting](#)  
[09120022752](#)


For any questions, you can email us directly:  
[sales@integrated-circuit.com](mailto:sales@integrated-circuit.com)

Alle Rechte vorbehalten/ All rights reserved



Befestigungsschraube  
lose beigelegt  
insert fixing screw  
is enclosed

Schrumpfschlauch  
lose beiliegend  
heat shrink sleeve  
separated enclosed

All Dimensions in mm Original Size DIN A 4			Techn. Character.			Nicht tolerierte Maß/Free size tolerances		
				Detail.	27.10.09	Rull	Han Q2/0-f	
				Insp.		HERB		
				Stand.				
						2:1		
A			HARTING Electric GmbH & Co. KG				TB 09 12 002 2752	Blatt/ page
Mod.	Dat.	Name	D-32339 Espelkamp				Sub. TB 09 12 002 2752 v. 06.11.06	