

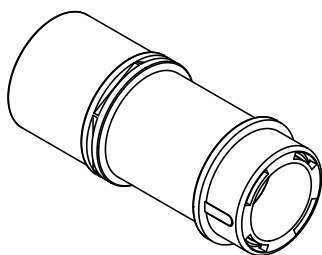
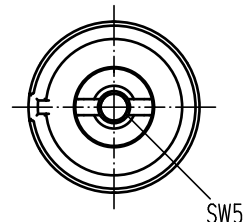
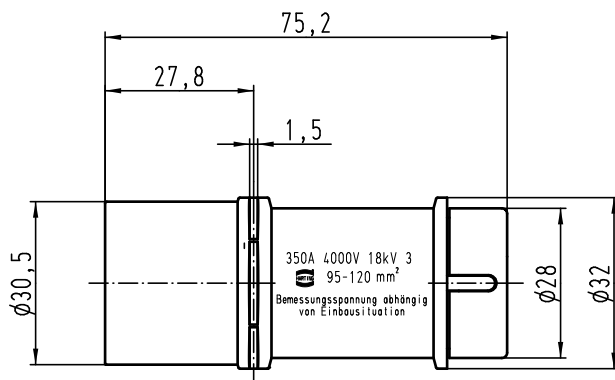
## Excellent Integrated System Limited

Stocking Distributor

Click to view price, real time Inventory, Delivery & Lifecycle Information:

[Harting](#)  
[09110012652](#)

For any questions, you can email us directly:  
[sales@integrated-circuit.com](mailto:sales@integrated-circuit.com)



Leiterquerschnitt wire gauge	
95-120 mm <sup>2</sup>	AWG 3/0-4/0

		All Dimensions in mm Original Size DIN A 4			Techn. Character.			Nicht tolerierte Maße / Free size tolerances		
		Dat.		Name		Maßstab / Scale		Han 1HC-sti-AX 350A Stiftträger, axialschraub male insert, axial screw		
		Detail.		Bor		1:1				
		Insp.		Be						
		Stand.								
		412432			HARTING Electric GmbH & Co. KG			TB 09 11 001 2652		Blatt / page
		Mod. Dat. Name			D-32339 Espelkamp			Sub. TB 09 11 001 26.. v. 29.07.98		

