

Excellent Integrated System Limited

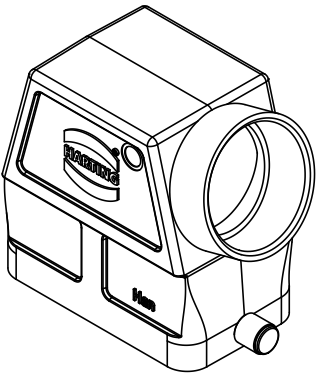
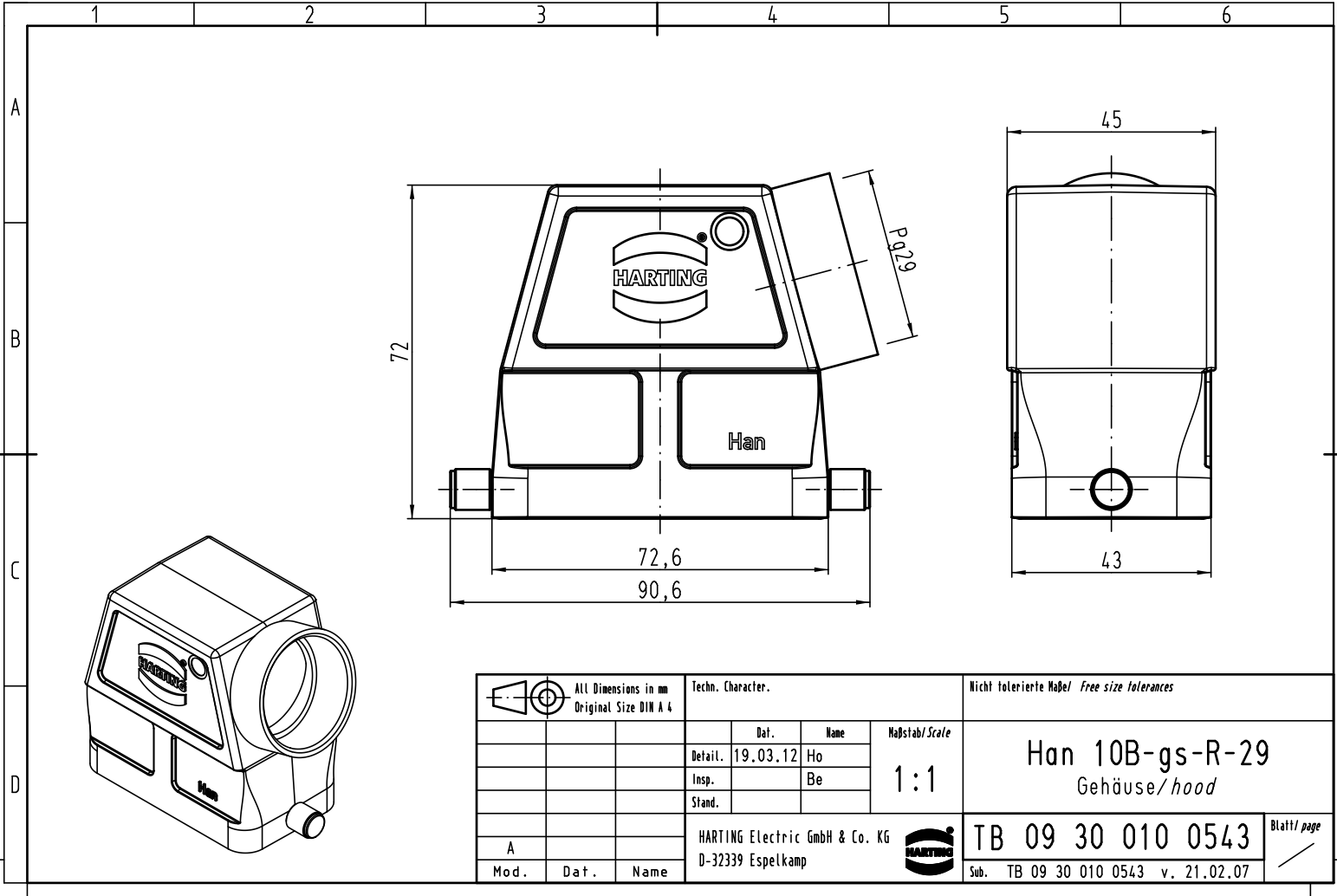
Stocking Distributor

Click to view price, real time Inventory, Delivery & Lifecycle Information:

[Harting](#)
[09300100543](#)

For any questions, you can email us directly:
sales@integrated-circuit.com

Alle Rechte vorbehalten/ All rights reserved



All Dimensions in mm Original Size DIN A 4			Techn. Character.			Nicht tolerierte Maße! Free size tolerances														
			<table border="1"> <tr> <td></td> <td>Dat.</td> <td>Name</td> <td rowspan="3"> Maßstab/Scale 1:1 </td> </tr> <tr> <td></td> <td>Detail.</td> <td>19.03.12 Ho</td> </tr> <tr> <td></td> <td>Insp.</td> <td>Be</td> </tr> <tr> <td></td> <td></td> <td>Stand.</td> <td></td> </tr> </table>		Dat.	Name	Maßstab/Scale 1:1		Detail.	19.03.12 Ho		Insp.	Be			Stand.		Han 10B-gs-R-29 Gehäuse/hood		
	Dat.	Name	Maßstab/Scale 1:1																	
	Detail.	19.03.12 Ho																		
	Insp.	Be																		
		Stand.																		
A			HARTING Electric GmbH & Co. KG D-32339 Espelkamp	TB 09 30 010 0543		Blatt/ page														
Mod.	Dat.	Name		Sub. TB 09 30 010 0543 v. 21.02.07																