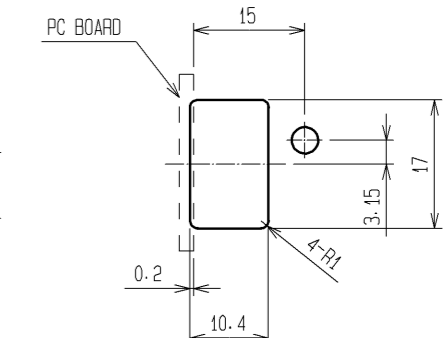
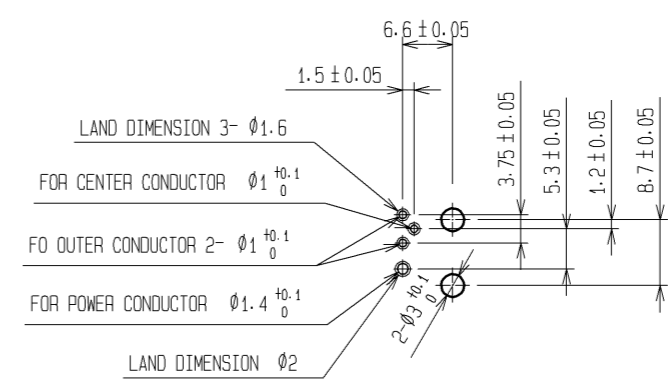
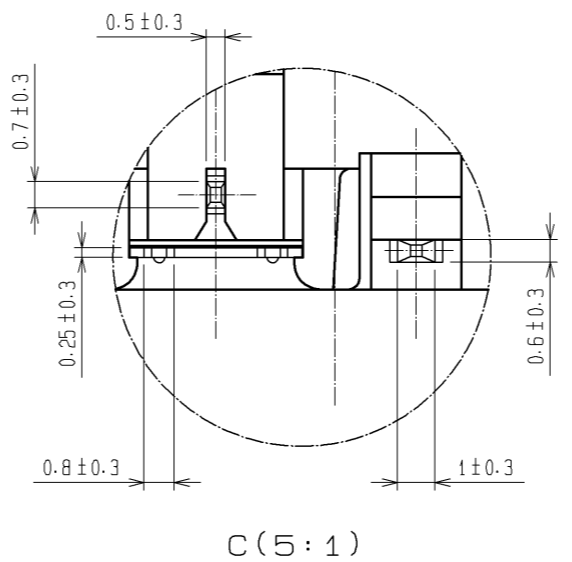
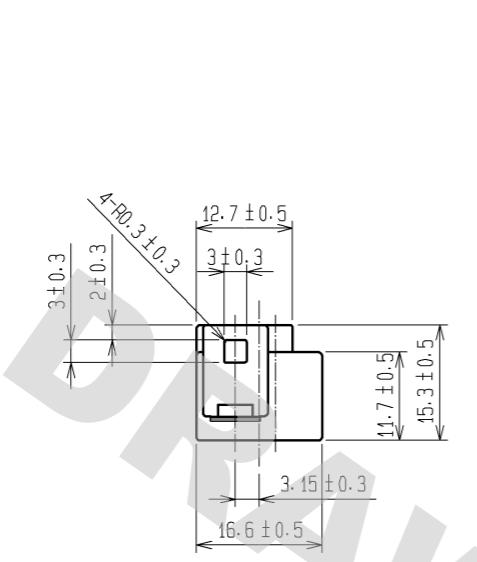


DRAWING FOR REFERENCE: This is subject to change without notice  
05/21/2015

HRS

FOR REFERENCE

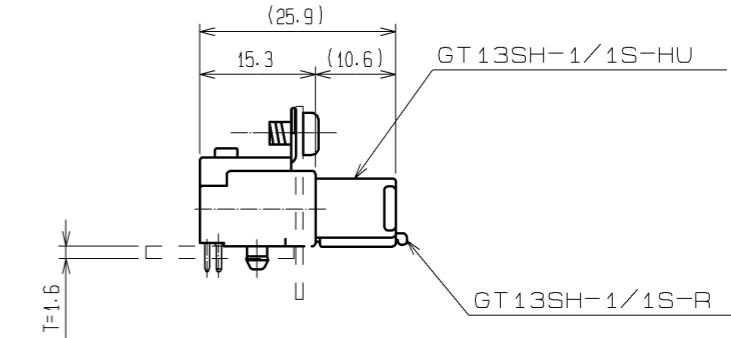
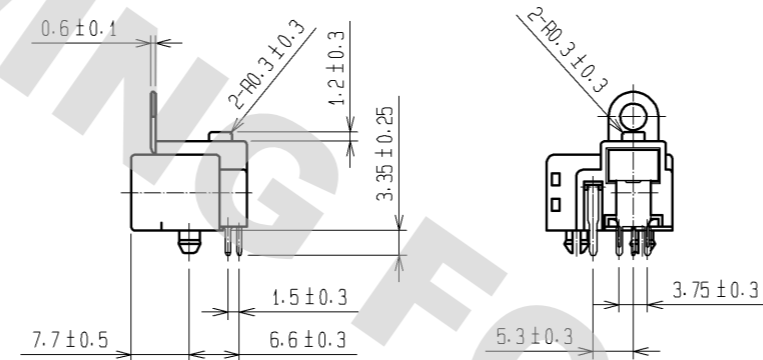
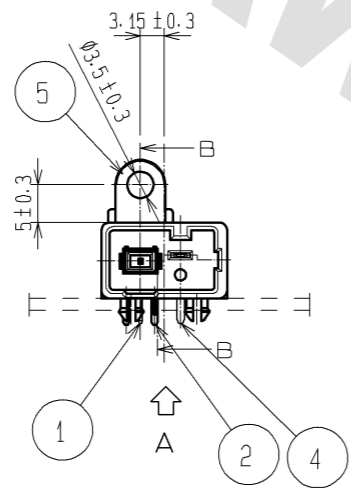
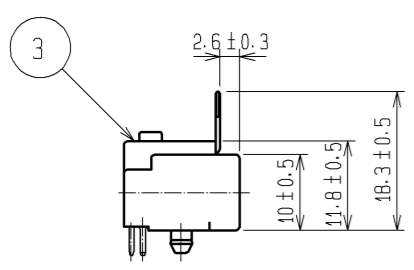
FOR REFERENCE



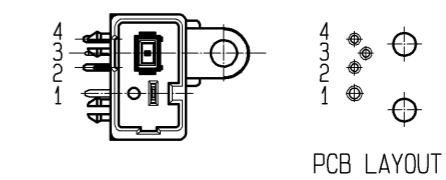
RECOMMENDED PANEL LAYOUT

RECOMMENDED PCB LAYOUT  
(VIEW FROM BOTTOM SURFACE)

C (5:1)

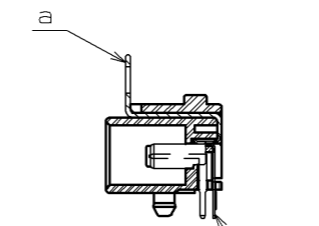


MATED PAIR FOR USE



PCB LAYOUT

Example of contact numbers



a and b are electrically connected

B-B

3	PBT	UL94HB. LIGHT GRAY			
2	Cu Alloy	Tin Plated	5	Cu Alloy	Tin Plated
1	Cu Alloy	Tin Plated	4	Cu Alloy	Tin Plated
NO.	MATERIAL	FINISH . REMARKS	NO.	MATERIAL	FINISH . REMARKS
UNITS	mm	SCALE	1 : 1	COUNT	2
		DESCRIPTION OF REVISIONS	DESIGNED	CHECKED	DATE
		DIS-T-000540	MO. OKADA	KS. SATOH	08.06.30
APPROVED : KS. SATOH		05.01.05	DRAWING NO.		EDC3-166029-00
CHECKED : MO. OKADA		05.01.05	PART NO.		GT13SHA-1/1PP-DS
DESIGNED : KS. NEI		05.01.05	CODE NO.		CL763-0057-8-00
DRAWN : KS. NEI		05.01.05			1/1