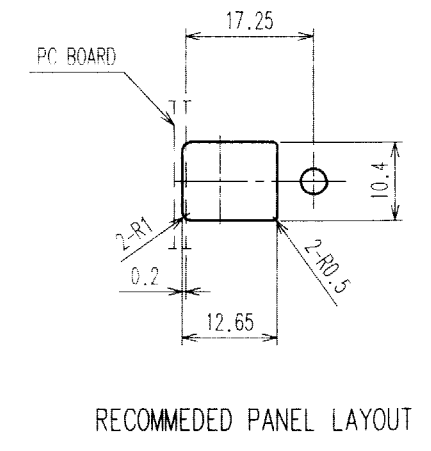
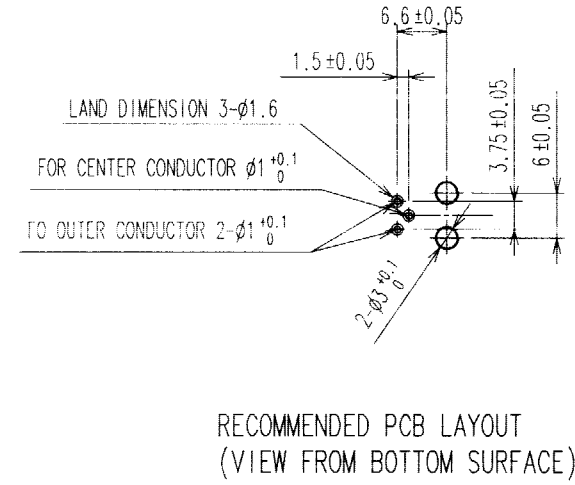
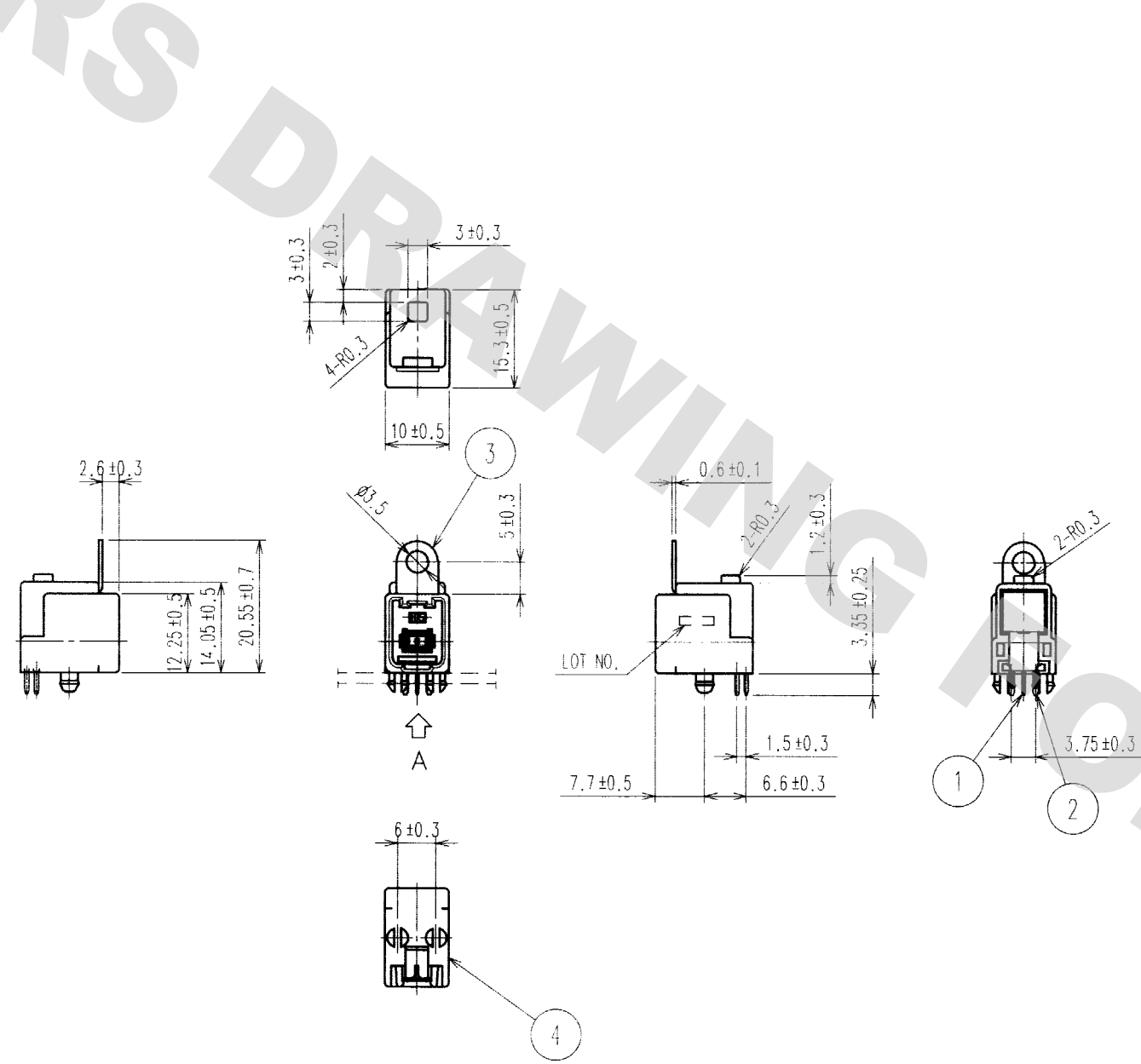


DRAWING FOR REFERENCE: This is subject to change without notice
05/21/2015

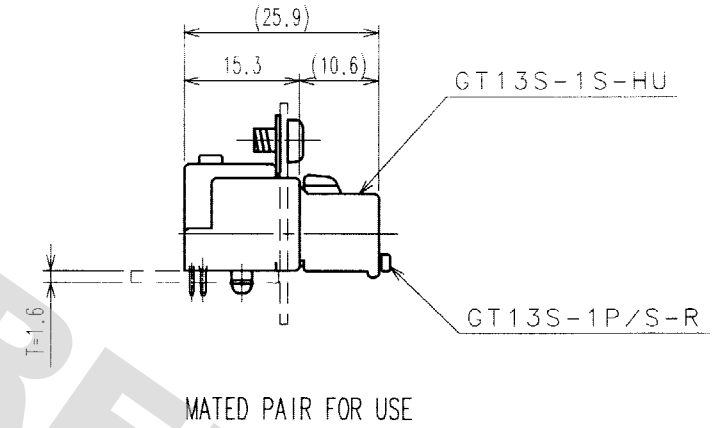
TO

COUNT	DESCRIPTION OF REVISIONS	BY	CHKD	DATE	COUNT	DESCRIPTION OF REVISIONS	BY	CHKD	DATE



RECOMMENDED PCB LAYOUT
(VIEW FROM BOTTOM SURFACE)

RECOMMENDED PANEL LAYOUT



MATED PAIR FOR USE

2	Cu Alloy	Tin Plated	4	PBT	UL94HB, LIGHT GRAY
1	Cu Alloy	Tin Plated	3	Cu Alloy	Tin Plated
NO.	MATERIAL	FINISH, REMARKS	NO.	MATERIAL	FINISH, REMARKS
CODE NO. (OLD)			DRAWN	DESIGNED	CHECKED
			M. OKADA	M. OKADA	K. Aoto
			'03. 8. 8	'03. 8. 8	03. 8. 8
			APPROVED	RELEASED	
			K. Aoto		
			'03. 8. 8		
DRAWING NO.			PART NO.		
EDC3-166121			GT13SHA-1PP-DS		
SCALE			CODE NO.		
1 : 1			CL763-0062-8		
UNITS			1/1		
mm			HRS HIROSE ELECTRIC CO., LTD		