

## Excellent Integrated System Limited

Stocking Distributor

Click to view price, real time Inventory, Delivery & Lifecycle Information:

[Bel Fuse Inc.](#)  
[6605448-1](#)

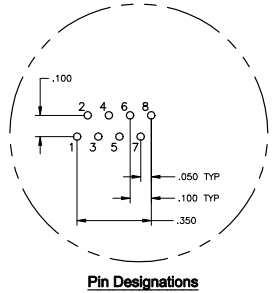
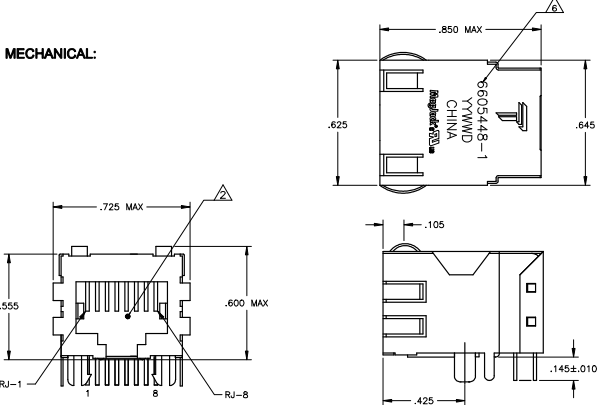
For any questions, you can email us directly:  
[sales@integrated-circuit.com](mailto:sales@integrated-circuit.com)

THIS DRAWING AND THE SUBJECT MATTER SHOWN THEREON ARE CONFIDENTIAL AND THE PROPERTY OF BEL/STEWART/TRP CONNECTOR AND SHALL NOT BE REPRODUCED, COPIED, OR USED IN ANY MANNER WITHOUT THE WRITTEN CONSENT OF TRP CONNECTOR.

PRODUCT MAY BE PROTECTED BY ONE OR MORE OF THE FOLLOWING US PATENTS:  
 5736910 5939955 6425781 6428361 6554638 6840817 7123117  
 7429195 7717749 7808751 6217391 6149050 7924130

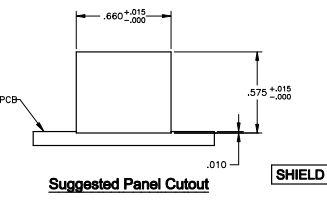
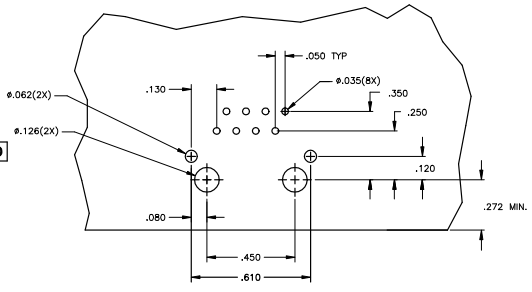
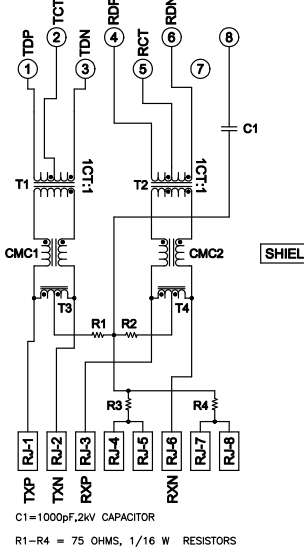
REVISIONS		DATE	BY	CHK	APP
1	INITIALS				
2	EC-1411035 COMPANY LOGO CHANGE	09052014	ST		TL

**MECHANICAL:**



- MATERIALS:**  
 HOUSING - THERMOPLASTIC PET POLYESTER FLAMMABILITY RATING UL 94V-0  
 SHIELD - .010" THICK, C26800 BRASS PREPLATED WITH 30µINCH MIN SEMI-BRIGHT NICKEL. SOLDER TABS POST DIPPED WITH 100µINCH MIN SAC SOLDER.  
 MID JACK CONTACTS - 0.0157 X 0.018" PHOSPHOR BRONZE, 50µINCH MIN OVERALL NICKEL UNDERPLATE WITH SELECT 50µINCH MIN HARD GOLD FINISH PLATE. SOLDER TAILS WITH 100µINCH MIN MATTE TIN AND/OR SAC SOLDER DIP.
- RJ45 JACK CAVITY CONFORMS TO FCC RULES AND REGULATIONS PART 68, SUB PART F.**
- MAGNETICS**  
 -IMPEDANCE: 100 OHMS  
 -TURNS RATIO (ENIP CABLE): TX = 11, RX = 11  
 -OPEN CIRCUIT INDUCTANCE (OCL): 350µH @ 100MHz, 0.1VRMS, 8mADC BIAS FROM -40°C TO +85°C, TX AND RX  
 -PERFORMANCE @ 25°C:  
 -INSERTION LOSS (IL): 1.1dB MAX FROM 0.5MHz TO 100MHz  
 RETURN LOSS (RL): 18dB MIN FROM 0.5MHz TO 30MHz  
 15-20LOG(I/50dB) MIN FROM 30 TO 60MHz  
 12dB MIN FROM 60 MHz TO 80MHz  
 CROSSTALK ATTENUATION: 35dB MIN FROM 0.5MHz TO 40MHz  
 33-20LOG(I/50dB) MIN FROM 40 MHz TO 100MHz  
 COMMON MODE REJECTION RATIO (CMRR): 35dB MIN FROM 0.5MHz TO 100MHz  
 -ISOLATION VOLTAGE 2250VDC (MAX) FOR 60 SECONDS WITH A RISE TIME OF 500V/SEC.
- OPERATING TEMPERATURE: FROM -40°C TO +85°C.**
- INDICATED CONNECTIONS ARE FOR NIC CONFIGURATION. THE MAGNETICS ARE SYMMETRIC, AND SUPPORT AUTO-HDI/MDX.**
- TRP CONNECTOR LOGO, PART NUMBER, DATE CODE, COUNTRY OF ORIGIN AND AGENCY APPROVAL MARKING IN APPROXIMATE LOCATION SHOWN.**
- THE PART IS RECOMMENDED FOR WAVE SOLDERING PROCESS. PREHEAT TEMPERATURE IS 120°C TO 160°C, 120 SECONDS TO 80 SECONDS. PEAK SOLDERING TEMPERATURE IS 260 °C MAX, 10 SECONDS MAX.**

**415ETP1 SERIES MAGNETIC CIRCUIT**



C1=1000pF,2KV CAPACITOR  
 R1-R4 = 75 OHMS, 1/16 W RESISTORS

THE DRAWING IS A CONTROLLED DOCUMENT		REVISIONS		PART NUMBER	
DATE	DESCRIPTION	BY	CHK	DATE	DESCRIPTION
10B-2100					
CUSTOMER DRAWING		6605448-1		PART NUMBER	
10B-2100		6605448-1		PART NUMBER	
10B-2100		6605448-1		PART NUMBER	

DRAWING INFORMATION		REVISIONS		PART NUMBER	
DATE	DESCRIPTION	BY	CHK	DATE	DESCRIPTION
10B-2100					
CUSTOMER DRAWING		6605448-1		PART NUMBER	
10B-2100		6605448-1		PART NUMBER	
10B-2100		6605448-1		PART NUMBER	

DRAWING INFORMATION		REVISIONS		PART NUMBER	
DATE	DESCRIPTION	BY	CHK	DATE	DESCRIPTION
10B-2100					
CUSTOMER DRAWING		6605448-1		PART NUMBER	
10B-2100		6605448-1		PART NUMBER	
10B-2100		6605448-1		PART NUMBER	