

Excellent Integrated System Limited

Stocking Distributor

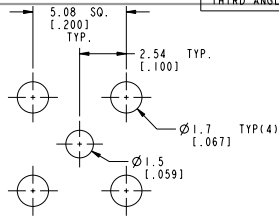
Click to view price, real time Inventory, Delivery & Lifecycle Information:

[Amphenol RF](#)
[034-5022](#)

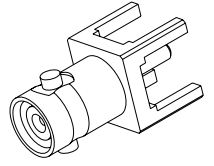
For any questions, you can email us directly:

sales@integrated-circuit.com

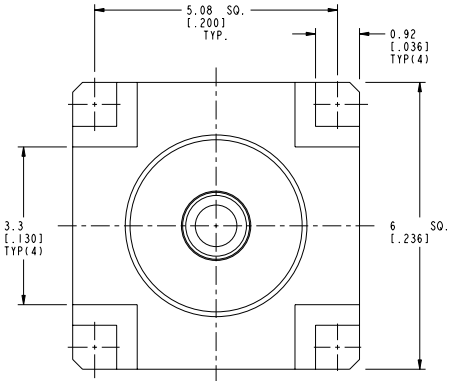
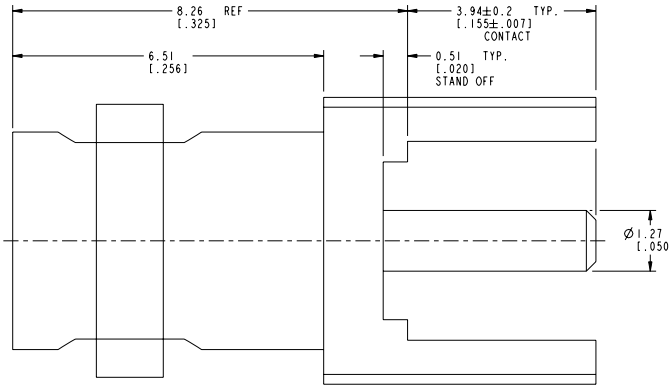
NOTES:	THIRD ANGLE PROJ.	REVISIONS				
		REV	DESCRIPTION	DATE	ECO	APPR
1. MATERIALS AND FINISHES: BODY - BRASS, NICKEL PLATING. CONTACT - BeCu, GOLD PLATING. INSULATOR - PTFE 2. ELECTRICAL: A. IMPEDANCE: 50 OHMS B. FREQUENCY RANGE: DC - 6 GHz C. RETURN LOSS: 30 dB MIN @ 6 GHz 3. MECHANICAL: A. DURABILITY: 500 CYCLES MIN. B. TEMPERATURE RANGE: -65°C TO +165°C 4. ENVIRONMENTAL: A. THERMAL SHOCK PER MIL-STD-202 METHOD 107 TEST CONDITION B (EXCEPT HIGH TEMP @200°C) B. VIBRATION: MIL-STD-202 METHOD 204 TEST CONDITION B C. SHOCK: MIL-STD-202 METHOD 213 TEST CONDITION B D. CORROSION: MIL-STD-202 METHOD 101 TEST CONDITION B 5% SALT SOLUTION 5. PACKAGING: A. QUANTITY: SINGLE PACK B. MARKING: BAG TO BE MARKED: "AMPHENOL RF, 34-5022, AND DATE CODE"		A	RELEASE TO MFG.	08-Apr-13	49282	LO



SCALE 5.000
RECOMMENDED MOUNTING HOLE DIMENSIONS



SCALE 4.000



CUSTOMER OUTLINE DRAWING
 ALL OTHER SHEETS ARE FOR INTERNAL USE ONLY

UNLESS OTHERWISE SPECIFIED, DIMENSIONS ARE IN METRIC AND TOLERANCES ARE: $\pm 0.5mm$ $0.5 - 6mm$ $6 - 30mm$ $30 - 120mm$ ANGLES $\pm 0.5mm$ $\pm 0.05mm$ $\pm 0.1mm$ $\pm 0.2mm$ $\pm 0.3mm$ $\pm 0.5mm$	MATERIAL	DRAWN	DATE	TITLE 50 OHM HD BNC STR JACK PCB THROUGH HOLE 4 LEGS RECEPTACLE SCALE: 13.0:1.0 SHEET 2 OF 2 DWG SIZE REV B A	Amphenol RF www.amphenolrf.com DRAWING NO. 34-5022 ITEM NO. 34-5022 PART NO. 34-5022
	SEE NOTES	L. QIN	08-Apr-13		
NOTICE - These drawings, specifications, or other data (1) are, and remain the property of Amphenol Corp. (2) must be returned upon request; and (3) are confidential and not to be disclosed to any person other than those to whom they are given by Amphenol Corp. The furnishing of these drawings, specifications, or other data by Amphenol Corp., or to any other person to anyone for any purpose is not to be regarded by implication or otherwise in any manner licensing, granting rights to permitting such holder or any other person to manufacture, use or sell any product, process or design, patented or otherwise, that may in any way be related to or disclosed by said drawings, specifications, or other data.	REFERENCE	APPROVED	DATE		
	EAR # 5400 CONFIGURATION LEVEL: □□□	H. HE	09-Apr-13		
FINISH		CAD FILE			