

Excellent Integrated System Limited

Stocking Distributor

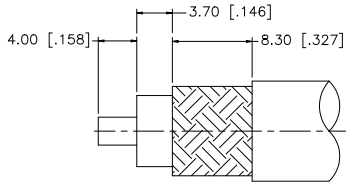
Click to view price, real time Inventory, Delivery & Lifecycle Information:

[Amphenol RF](#)
[112604](#)

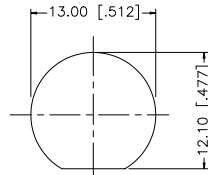
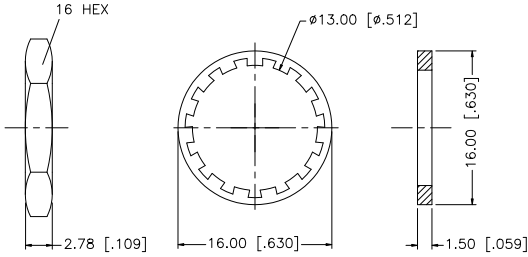
For any questions, you can email us directly:

sales@integrated-circuit.com

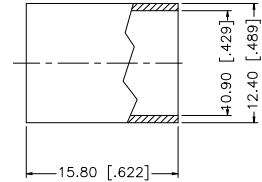
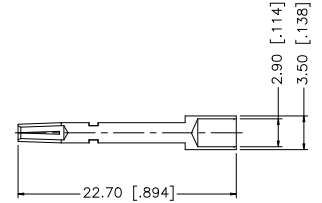
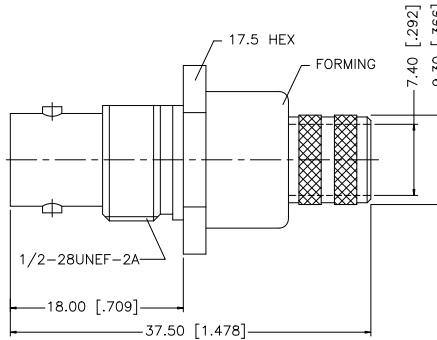
REV.	DATE	ECR NO.	DESCRIPTION
NC	08/18/98	-	INITIAL RELEASE
A	12/03/08	100050	UPDATE DRAWING FORMAT



RECOMMENDED
CABLE STRIPPING DIM'S



RECOMMENDED
MOUNTING HOLE



REV.	DATE	APPROVALS	DATE	<h1 style="color: blue; margin: 0;">Amphenol Connex</h1>
8		DRAWN GRS	12/03/08	
7		CHECKED		PART DESCRIPTION BNC BULKHEAD CRIMP JACK (FOR BELDEN 8214, 9913, 9914 CABLE)
6		ISSUED		
5		SHEET 1 OF 1		PART NO. 112604
4				
3		CAD FILE C:/112/112604.DWG		DWG. NO. 112604.DWG REV. A SIZE A SCALE NA
2				
1				

UNLESS OTHERWISE SPECIFIED DIMENSIONS ARE IN MILLIMETERS. DIMENSIONS IN [] ARE IN INCHES AND FOR CUSTOMER REFERENCE ONLY.

UNLESS OTHERWISE SPECIFIED TOLERANCES FOR MILLIMETERS ARE:
 0.5 - 8mm ± 0.20mm
 8 - 30mm ± 0.40mm
 30 - 120mm ± 0.50mm

UNLESS OTHERWISE SPECIFIED TOLERANCES FOR INCHES ARE:
 .020 - .315 = ± 0.007"
 .315 - 1.180 = ± 0.015"
 1.180 - 4.724 = ± 0.020"

DO NOT SCALE DRAWING