

## Excellent Integrated System Limited

Stocking Distributor

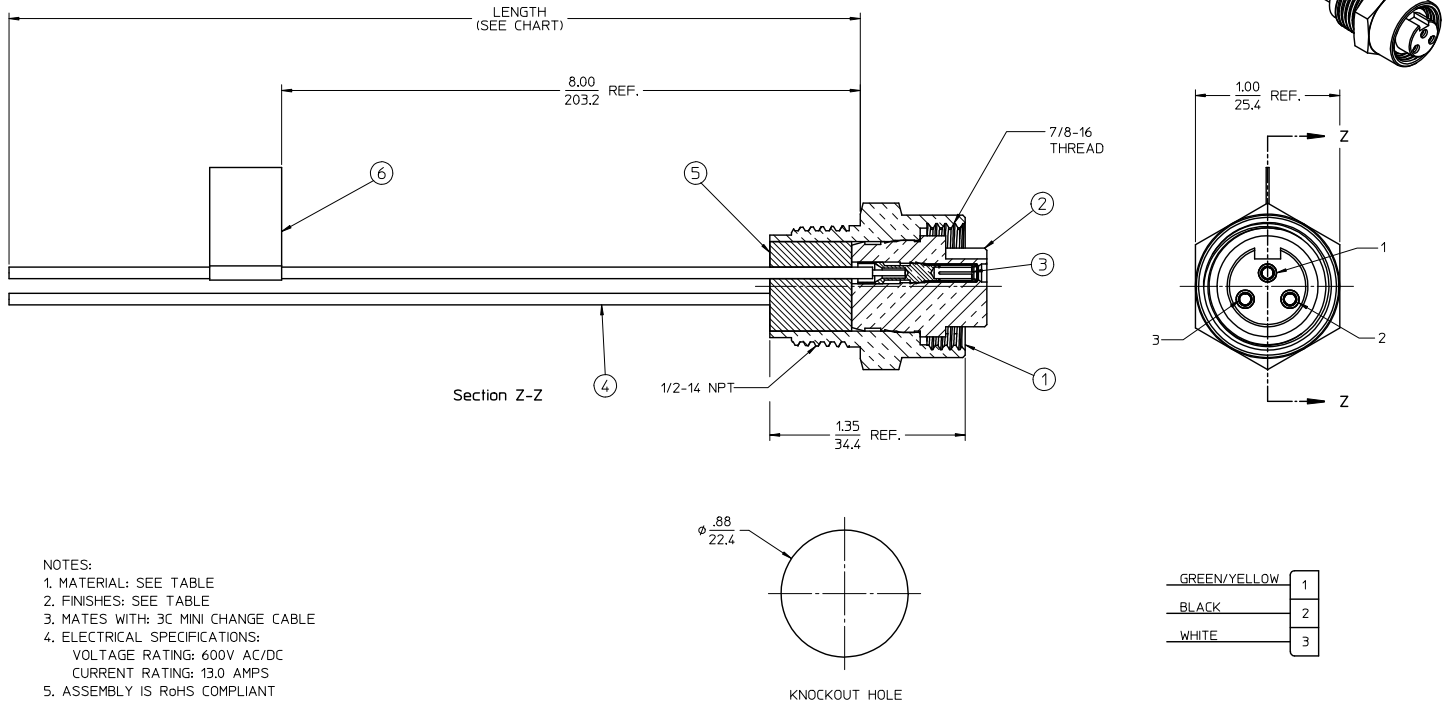
Click to view price, real time Inventory, Delivery & Lifecycle Information:

[Molex Connector Corporation](#)  
[1300130111](#)

For any questions, you can email us directly:

[sales@integrated-circuit.com](mailto:sales@integrated-circuit.com)

MATERIAL NO.	ENGINEERING NO.	LENGTH
1300130111	1R3000A20M010	3' 3" +2.18 -0 (1.0M + 55.6mm -0)
1300130112	1R3000A20M020	6' 7" +3.50 -0 (2.0M + 88.9mm -0)



- NOTES:
1. MATERIAL: SEE TABLE
  2. FINISHES: SEE TABLE
  3. MATES WITH: 3C MINI CHANGE CABLE
  4. ELECTRICAL SPECIFICATIONS:  
VOLTAGE RATING: 600V AC/DC  
CURRENT RATING: 13.0 AMPS
  5. ASSEMBLY IS RoHS COMPLIANT

ITEM	QTY.	DESCRIPTION	MATERIAL	FINISH
6	1	LABEL	VINYL	BLACK/YELLOW
5	1	POTTING MATERIAL	EPOXY	
4	3	WIRE, 16 AWG	PVC INSULATION	SEE WIRE DIAGRAM
3	3	CONTACT SOCKET & SLEEVE ASSY.	Cu ALLOY/ST. STEEL	GOLD PLATED
2	1	INSERT	PVC	YELLOW
1	1	RECEPTACLE SHELL	ZINC DIECAST	NICKEL PLATED

CHANGE SHELL MATERIAL EC NO: 1P62015-0957 DRW:BARBEN 2014/12/09 CHK:KORSTONE 2014/12/09 APPR:JMURPHY 2015/04/22	QUALITY SYMBOLS ▽=0 ∇=0	GENERAL TOLERANCES (UNLESS SPECIFIED)		DIMENSION STYLE IN/MM		SCALE 2:1	DESIGN UNITS INCH	THIRD ANGLE PROJECTION	
		4 PLACES ±---	±---	DRAWN BY R. STONE	DATE 2009/08/25	TITLE MINI-CHANGE, RECEPTACLE 3P, FEMALE, 16 AWG			
		3 PLACES ±---	±.005	CHECKED BY B. WOODMAN	DATE 2009/08/27	MOLEX INCORPORATED			
		2 PLACES ±0.13	±.010	APPROVED BY JFMURPHY	DATE 2009/08/26	SEE CHART SD-130013-085			
DRAFT WHERE APPLICABLE MUST REMAIN WITHIN DIMENSIONS		MATERIAL NO. SEE CHART		DOCUMENT NO. SD-130013-085		SHEET NO. 1 OF 1			