



Excellent Integrated System Limited

Stocking Distributor

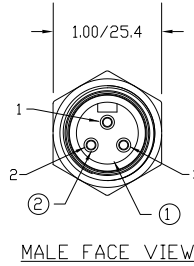
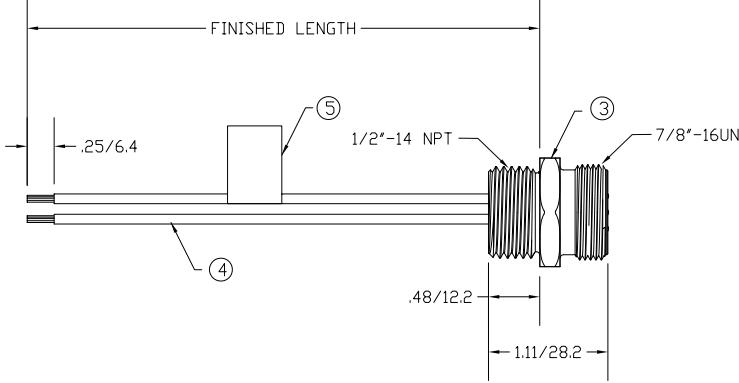
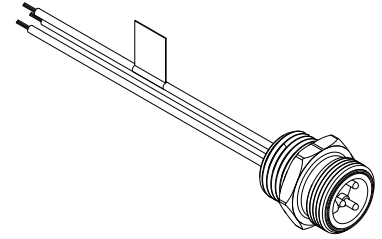
Click to view price, real time Inventory, Delivery & Lifecycle Information:

[Molex Connector Corporation](#)
[1300130238](#)

For any questions, you can email us directly:

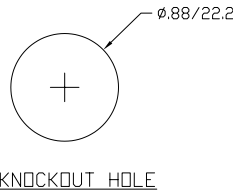
sales@integrated-circuit.com

MATERIAL NUMBER	OLD PART NUMBER	FINISHED LENGTH
130013-0238	1R3006A25A120	12.00" +1.75" -0 [.3M +44.5 -0]



1	GREEN/YELLOW-GND
2	BROWN
3	BLUE

WIRING DIAGRAM



VOLTAGE RATING	300 VAC/VDC
AMPERAGE RATING	10 AMPS
PROTECTION	IP67
OPERATING TEMPERATURE	-20°C TO 105°C
UL CERTIFICATIONS	UL LISTED, FILE NO. E258922
CSA CERTIFICATIONS	CSA CERTIFIED, FILE NO. LR6837

ITEM	COMPONENT	MATERIAL	FINISH
1	INSERT	PVC	YELLOW
2	CONTACT PIN	COPPER ALLOY	GOLD OVER NICKEL
3	RECEPTACLE SHELL	ZINC DIE CAST	BLACK E-COATED
4	CONDUCTOR - 18 AWG. 26 x #30 COPPER STRANDING, 300V	PVC	SEE WIRING DIAGRAM
5	FLAG LABEL	PLASTIC FILM	BLACK/YELLOW

RLSD DRAWING EC NO: WMA2010-0235 DRAWN: BHOCHANG2100108 CHKD: TW APPR: JFMURPHY 2010/01/14 REV: A	QUALITY SYMBOL ▽=0 ▽=0	GENERAL TOLERANCES (UNLESS SPECIFIED)		DIMENSION STYLE IN/MM		SCALE 1:1	DESIGN UNITS INCH	THIRD ANGLE PROJECTION		
		4 PLACES ±.005 ±.005	3 PLACES ±.005 ±.005	2 PLACES ±.013 ±.010	1 PLACE ±.025 ±.020	DRAWN BY TW	DATE 2010/01/08	TITLE MINI-CHANGE RECEPTACLE 3 POLE MALE 1/2 NPT IEC CODE		
		ANGULAR ±1/2°				APPROVED BY JFMURPHY	DATE 2010/01/14	MOLEX INCORPORATED		
		DRAFT WHERE APPLICABLE MUST REMAIN WITHIN DIMENSIONS				MATERIAL NO. SEE CHART	DOCUMENT NO. SD-130013-023	SHEET NO. 1 OF 1		