

Excellent Integrated System Limited

Stocking Distributor

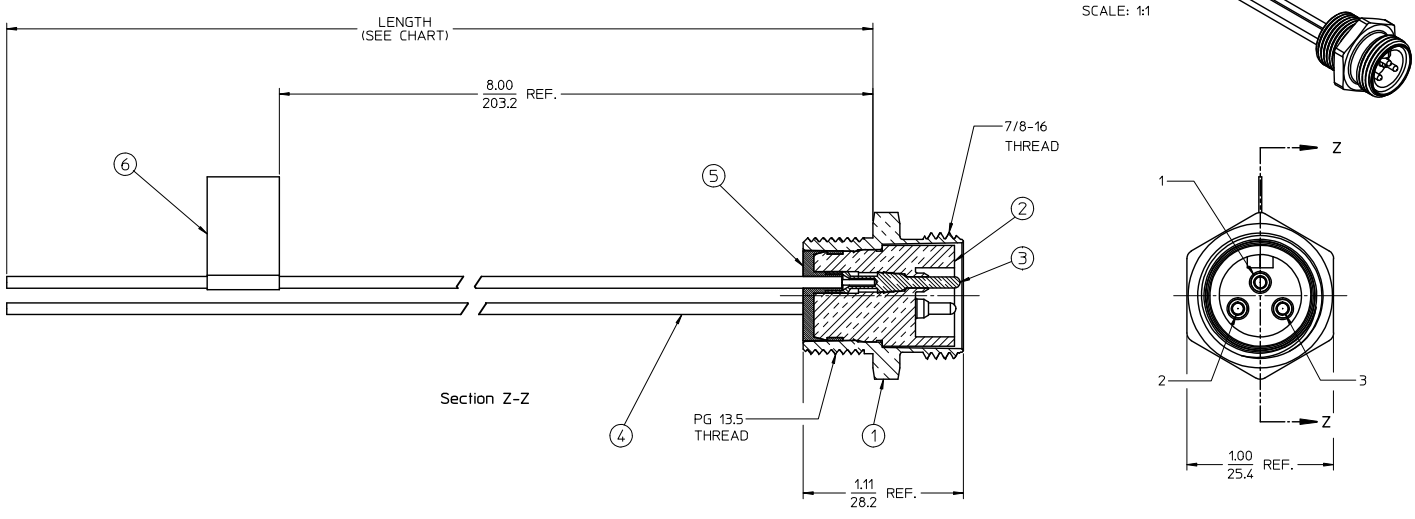
Click to view price, real time Inventory, Delivery & Lifecycle Information:

[Molex Connector Corporation](#)
[1300130268](#)

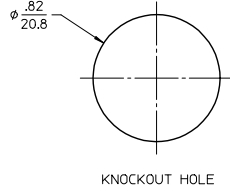
For any questions, you can email us directly:

sales@integrated-circuit.com

MATERIAL NO.	ENGINEERING NO.	LENGTH
1300130268	1R3D06A25A120	12.0 +.75 -0 (304.8 +19.1 -0)



- NOTES:
1. MATERIAL: SEE TABLE
 2. FINISHES: SEE TABLE
 3. MATES WITH: 3C MINI CHANGE CABLE
 4. ELECTRICAL SPECIFICATIONS:
VOLTAGE RATING: 300V AC/DC
CURRENT RATING: 7.0 AMPS
 5. ASSEMBLY IS RoHS COMPLIANT



GREEN/YELLOW	1
BROWN	2
BLUE	3

WIRING DIAGRAM

6	1	LABEL	PLASTIC FILM	BLACK/YELLOW
5	1	POTTING MATERIAL	EPOXY	
4	3	WIRE, 18 AWG	PVC INSULATION	SEE WIRE DIAGRAM
3	3	CONTACT PIN	Cu ALLOY	GOLD PLATED
2	1	INSERT	PVC	YELLOW
1	1	RECEPTACLE SHELL	ALUMINUM	CLEAR ANODIZED
ITEM	QTY.	DESCRIPTION	MATERIAL	FINISH

RELEASED REC NO: WNA2010-0125 2009/08/26 DRAWINGSTONE CHKOR: WOODMAN APPR: J MURPHY 2009/08/27	QUALITY SYMBOLS ▽=0 ∇=0	GENERAL TOLERANCES (UNLESS SPECIFIED)		DIMENSION STYLE IN/MM		SCALE 2:1	DESIGN UNITS INCH	THIRD ANGLE PROJECTION		
		4 PLACES ± --- ± ---	3 PLACES ± --- ± ---	2 PLACES ± --- ± .01	1 PLACE ± 0.3 ± ---	DRAWN BY R. STONE	DATE 2009/08/25	TITLE MINI-CHANGE, RECEPTACLE 3P, MALE, 18 AWG PG13.5 THREAD		
		ANGULAR ± 1/2°				CHECKED BY B. WOODMAN	DATE 2009/08/27	MOLEX INCORPORATED		
		DRAFT WHERE APPLICABLE MUST REMAIN WITHIN DIMENSIONS				APPROVED BY JFMURPHY	DATE 2009/08/26	MATERIAL NO. (SEE CHART)	DOCUMENT NO. SD-130013-083	SHEET NO. 1 OF 1

THIS DRAWING CONTAINS INFORMATION THAT IS PROPRIETARY TO MOLEX INCORPORATED AND SHOULD NOT BE USED WITHOUT WRITTEN PERMISSION