

## Excellent Integrated System Limited

Stocking Distributor

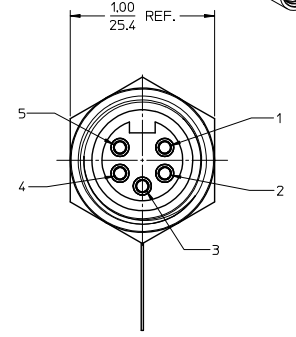
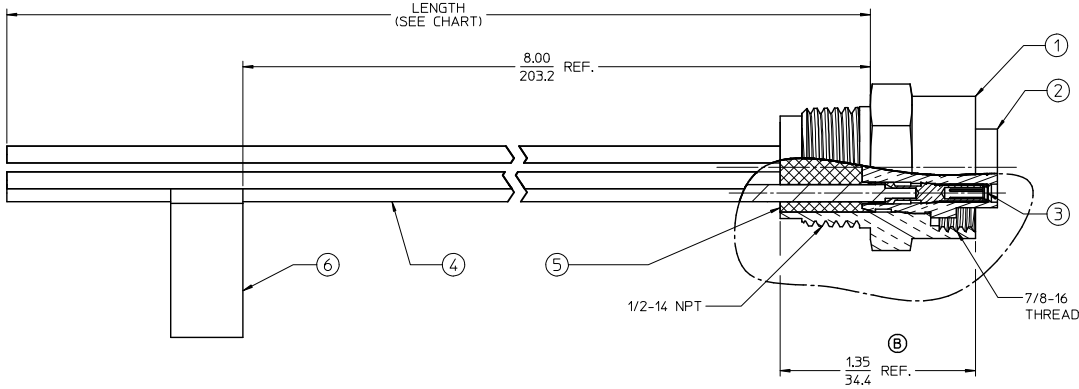
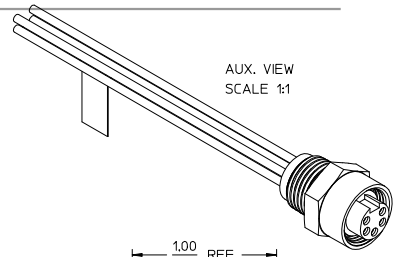
Click to view price, real time Inventory, Delivery & Lifecycle Information:

[Molex Connector Corporation](#)  
[1300130426](#)

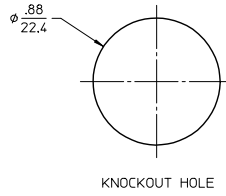
For any questions, you can email us directly:

[sales@integrated-circuit.com](mailto:sales@integrated-circuit.com)

MATERIAL NO.	ENGINEERING NO.	LENGTH
1300130417	1R5000A20A120	12.0' +.75 -0 (0.3M + 19.1mm -0)
1300130421	1R5000A20F030	3' 0' +1.75 -0 (0.9M + 44.5mm -0)
1300130423	1R5000A20F060	6' 0' +2.19 -0 (1.8M + 55.6mm -0)
1300130426	1R5000A20M020	6' 7' +3.50 -0 (2.0M + 88.9mm -0)



- NOTES:
1. MATERIAL: SEE TABLE
  2. FINISHES: SEE TABLE
  3. MATES WITH: 5C MINI CHANGE CABLE
  4. ELECTRICAL SPECIFICATIONS:  
VOLTAGE RATING: 600V AC/DC  
CURRENT RATING: 8.0 AMPS
  5. ASSEMBLY IS RoHS COMPLIANT



WIRE COLOR	POSITION
WHITE	1
RED	2
GREEN/YELLOW	3
ORANGE	4
BLACK	5

WIRE DIAGRAM

ITEM	QTY.	DESCRIPTION	MATERIAL	FINISH
6	1	LABEL	VINYL (B)	BLACK/YELLOW
5	1	POTTING MATERIAL	EPOXY	
4	5	WIRE, 16 AWG	PVC INSULATION	SEE WIRE DIAGRAM
3	5	CONTACT SOCKET & SLEEVE ASSY.	Cu ALLOY/ST. STEEL	GOLD PLATED
2	1	INSERT	PVC	YELLOW
1	1	RECEPTACLE SHELL	DIE-CAST ZINC (B)	NICKEL PLATED (B)

ADD P/NG. REVD PER BOH EC NO: IPGZ013-1710 DRAWN BY: R. STONE 2013/05/08 CHECKED BY: CHIKOKI JOZWIK 2013/05/08 APPROVED BY: J.F. MURPHY 2013/05/15	QUALITY SYMBOLS ▽=0 ∇=0	GENERAL TOLERANCES (UNLESS SPECIFIED) 4 PLACES ± --- ± --- 3 PLACES ± --- ± --- 2 PLACES ± --- ± .01 1 PLACE ± 0.3 ± --- ANGULAR ± 1/2°	DIMENSION STYLE IN/MM	SCALE 2:1	DESIGN UNITS INCH	THIRD ANGLE PROJECTION
		DRAWN BY: R. STONE 2009/08/25 CHECKED BY: B. WOODMAN 2009/08/27 APPROVED BY: J.F. MURPHY 2009/08/26	TITLE MINI-CHANGE, RECEPTACLE 5P, FEMALE, 16 AWG	MOLEX INCORPORATED		SHEET NO. 1 OF 1

DRAFT WHERE APPLICABLE MUST REMAIN WITHIN DIMENSIONS

SEE CHART

SD-130013-087

THIS DRAWING CONTAINS INFORMATION THAT IS PROPRIETARY TO MOLEX INCORPORATED AND SHOULD NOT BE USED WITHOUT WRITTEN PERMISSION