

Excellent Integrated System Limited

Stocking Distributor

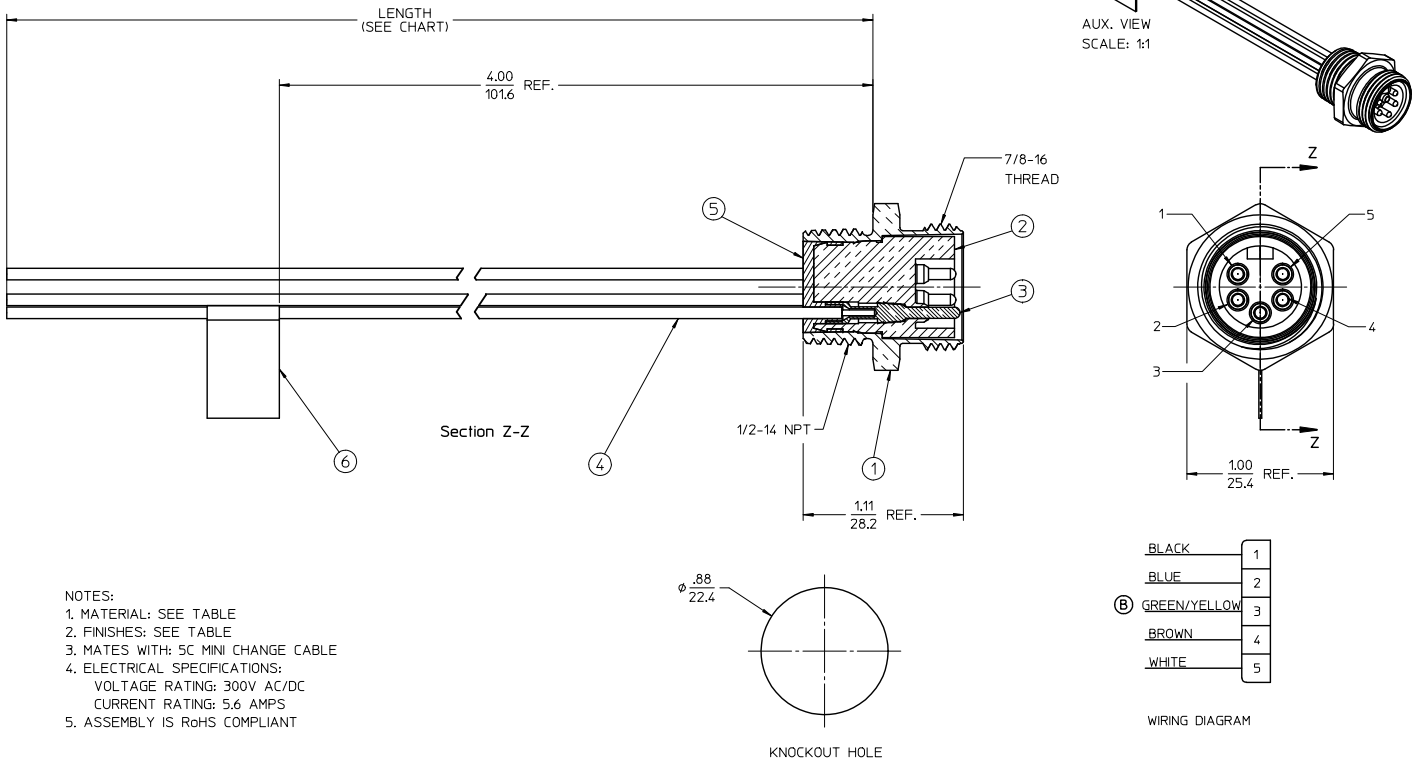
Click to view price, real time Inventory, Delivery & Lifecycle Information:

[Molex Connector Corporation](#)
[1300130526](#)

For any questions, you can email us directly:

sales@integrated-circuit.com

MATERIAL NO.	ENGINEERING NO.	LENGTH
1300130526	1R5006A25A120	12.0 +.75 -0 (304.8 +19.1 -0)



- NOTES:
1. MATERIAL: SEE TABLE
 2. FINISHES: SEE TABLE
 3. MATES WITH: 5C MINI CHANGE CABLE
 4. ELECTRICAL SPECIFICATIONS:
VOLTAGE RATING: 300V AC/DC
CURRENT RATING: 5.6 AMP
 5. ASSEMBLY IS RoHS COMPLIANT

6	1	LABEL	PLASTIC FILM	BLACK/YELLOW
5	1	POTTING MATERIAL	EPOXY	
4	5	WIRE, 18 AWG	PVC INSULATION	SEE WIRE DIAGRAM
3	5	CONTACT PIN	Cu ALLOY	GOLD PLATED
2	1	INSERT	PVC	YELLOW
1	1	RECEPTACLE SHELL	ZINC DIE-CAST	BLACK
ITEM	QTY.	DESCRIPTION	MATERIAL	FINISH

UPDATED GROUND WIRE I/C NO: 1R5006A25A120 2016/05/20 CHIKORSTONE APPROVED 2016/05/27	QUALITY SYMBOLS	GENERAL TOLERANCES (UNLESS SPECIFIED)	DIMENSION STYLE IN/MM	SCALE 2:1	DESIGN UNITS INCH	THIRD ANGLE PROJECTION	
	▽=0 ▽=0	4 PLACES ± --- ± --- 3 PLACES ± --- ± --- 2 PLACES ± --- ± .01 1 PLACE ± 0.3 ± --- ANGULAR ± 1/2°	DRAWN BY R. STONE DATE 2009/08/24 CHECKED BY B. WOODMAN DATE 2009/08/27 APPROVED BY JFMURPHY DATE 2009/08/26	TITLE MINI-CHANGE, RECEPTACLE 5P, MALE, 18 AWG MOLEX INCORPORATED DOCUMENT NO. SD-130013-081 SHEET NO. 1 OF 1			
	DRAFT WHERE APPLICABLE MUST REMAIN WITHIN DIMENSIONS		SEE CHART	THIS DRAWING CONTAINS INFORMATION THAT IS PROPRIETARY TO MOLEX INCORPORATED AND SHOULD NOT BE USED WITHOUT WRITTEN PERMISSION			
	MATERIAL NO. SIZE C						