

Excellent Integrated System Limited

Stocking Distributor

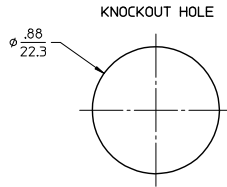
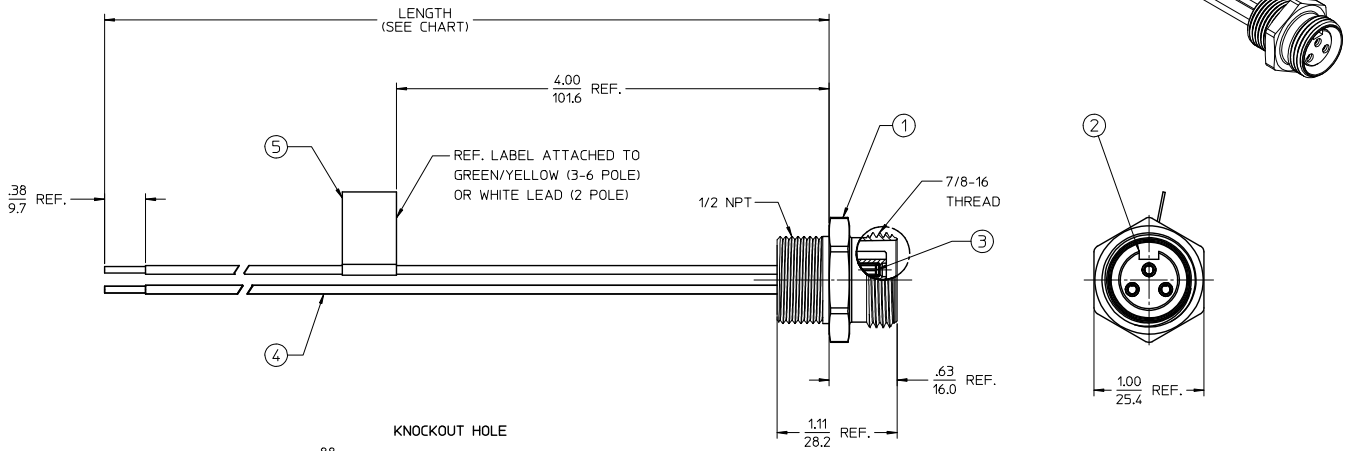
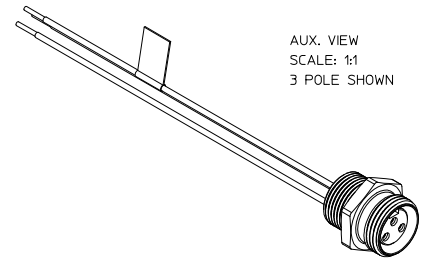
Click to view price, real time Inventory, Delivery & Lifecycle Information:

[Molex Connector Corporation](#)
[1300130315](#)

For any questions, you can email us directly:

sales@integrated-circuit.com

MATERIAL NO.	ENGINEERING NO.	LENGTH	POLES	ELECTRICAL SPECS
1300130149	1R3004A20F0601	6'0" +2.19 -0 (1.83M +55.6 -0)	3	600 VOLTS, 13 AMPS
1300130315	1R4004A20A1201	12.00' +.75 -0 (304.8 +19.1 -0)	4	600 VOLTS, 10 AMPS
1300130443	1R5004A20A1201	12.00' +.75 -0 (304.8 +19.1 -0)	5	600 VOLTS, 8 AMPS



- NOTES:
1. MATERIAL: SEE TABLE
 2. FINISHES: SEE TABLE
 3. MATES WITH: MINI CHANGE CABLE
 4. ELECTRICAL SPECIFICATIONS: SEE CHART
 5. ASSEMBLY IS RoHS COMPLIANT

FACE VIEW-FEMALE INSERT				
1 WHITE 2 BLACK	1 GREEN/YELLOW 2 BLACK 3 WHITE	1 BLACK 2 WHITE 3 RED 4 GREEN/YELLOW	1 WHITE 2 RED 3 GREEN/YELLOW 4 ORANGE 5 BLACK	1 WHITE 2 RED 3 GREEN/YELLOW 4 ORANGE 5 BLACK 6 BLUE

ITEM	QTY.	DESCRIPTION	MATERIAL	FINISH
5	1	LABEL	VINYL	BLACK/YELLOW
4	A/R	WIRE, 16 AWG, UL1015	PVC INSULATION	SEE WIRE DIAGRAM
3	A/R	CONTACT SOCKET	CU ALLOY	GOLD PLATED
2	1	INSERT	PVC	YELLOW
1	1	RECEPTACLE SHELL	ST. STEEL	PASSIVATED

NEW SALES DWG. EC NO: IPG2013-0860 DRAWN BY: RSTONE 2013/01/11 CHECKED BY: J. JOZWIK 2013/01/25 APPR: J. MURPHY 2013/03/01 DESCRIPTION:	QUALITY SYMBOLS ▽=0 ▽=0	GENERAL TOLERANCES (UNLESS SPECIFIED) mm INCH 4 PLACES ± .05 ± .01 3 PLACES ± .05 ± .01 2 PLACES ± 0.10 ± .01 1 PLACE ± .05 ± .01 0 PLACE ± .05 ± .01	DIMENSION STYLE IN/MM	SCALE 1.5:1	DESIGN UNITS INCH	THIRD ANGLE PROJECTION
		ANGULAR ± .5° DRAFT WHERE APPLICABLE MUST REMAIN WITHIN DIMENSIONS	DRAWN BY: RSTONE 2013/01/11 CHECKED BY: K. JOZWIK 2013/01/25 APPROVED BY: J. MURPHY 2013/03/01	MATERIAL NO. SEE CHART	DOCUMENT NO. SD-130013-041	TITLE MINI CHANGE FEM. RECEPT. EXT THD, 16 AWG 1/2 NPT MTG THD, SS