

Excellent Integrated System Limited

Stocking Distributor

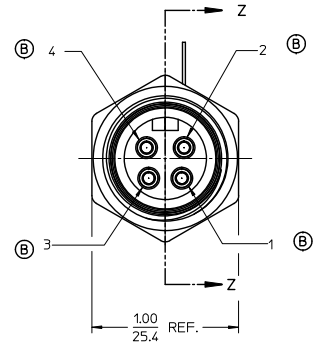
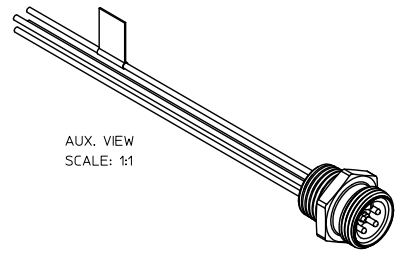
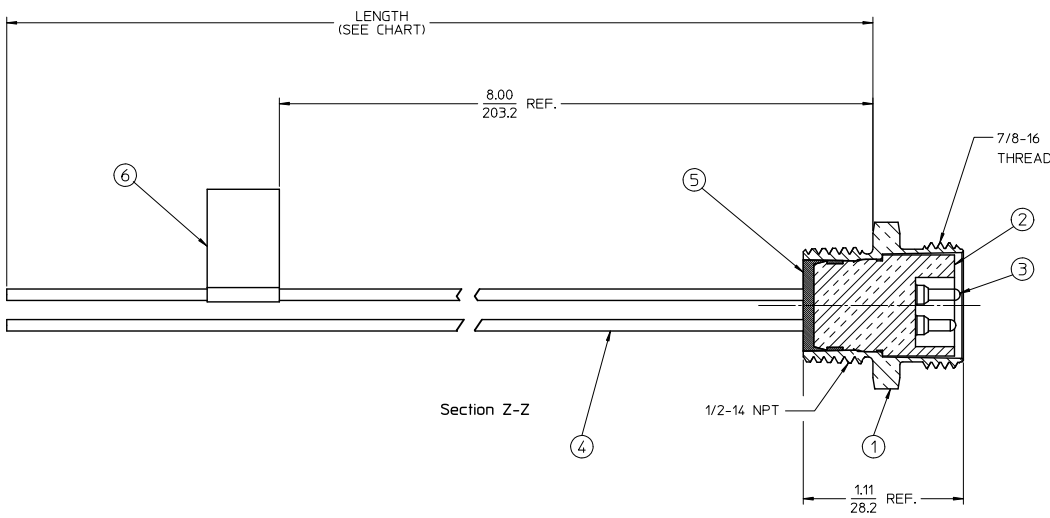
Click to view price, real time Inventory, Delivery & Lifecycle Information:

[Molex Connector Corporation](#)
[1300130378](#)

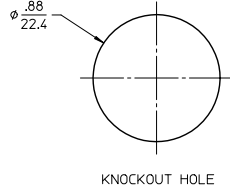
For any questions, you can email us directly:

sales@integrated-circuit.com

MATERIAL NO.	ENGINEERING NO.	LENGTH
1300130377	1R4006A39M010	39.37 +2.19 -0 (304.8 +55.6 -0)
1300130378	1R4006A39M020	78.74 +3.50 -0 (304.8 +88.9 -0)



- NOTES:
1. MATERIAL: SEE TABLE
 2. FINISHES: SEE TABLE
 3. MATES WITH: 4C MINI CHANGE CABLE
 4. ELECTRICAL SPECIFICATIONS:
VOLTAGE RATING: 600V AC/DC
CURRENT RATING: 10.0 AMPS
 5. ASSEMBLY IS RoHS COMPLIANT



WIRE DIAGRAM

BROWN	1
WHITE	2
BLUE	3
BLACK	4

ⓑ PIN-OUT PER CENELEC COLOR CODE

ITEM	QTY.	DESCRIPTION	MATERIAL	FINISH
6	1	LABEL	PLASTIC FILM	BLACK/YELLOW
5	1	POTTING MATERIAL	EPOXY	
4	4	WIRE, 16 AWG	PVC INSULATION	SEE WIRE DIAGRAM
3	4	CONTACT PIN	Cu ALLOY	GOLD PLATED
2	1	INSERT	PVC	YELLOW
1	1	RECEPTACLE SHELL	ZINC DIE-CAST	BLACK

REVID PINOUT EC NO: WNA2010-0659 DRAWN BY: R. STONE 2010/04/28 CHK'D BY: WOODMAN 2010/04/29 APPR: J. MURPHY 2010/05/14 DESCRIPTION: REV	QUALITY SYMBOLS	GENERAL TOLERANCES (UNLESS SPECIFIED)	DIMENSION STYLE IN/MM	SCALE 2:1	DESIGN UNITS INCH	THIRD ANGLE PROJECTION
	▽=0 ∇=0	4 PLACES ± --- ± --- 3 PLACES ± --- ± --- 2 PLACES ± --- ± .01 1 PLACE ± 0.3 ± --- ANGULAR ± 1/2°	DRAWN BY: R. STONE 2009/08/24 CHECKED BY: B. WOODMAN 2009/08/27 APPROVED BY: J. MURPHY 2009/08/26	TITLE	MINI-CHANGE, RECEPTACLE 4P, MALE, 16 AWG	
	DRAFT WHERE APPLICABLE MUST REMAIN WITHIN DIMENSIONS	SEE CHART	MATERIAL NO.	DOCUMENT NO.	MOLEX INCORPORATED SD-130013-080	
		SIZE C	THIS DRAWING CONTAINS INFORMATION THAT IS PROPRIETARY TO MOLEX INCORPORATED AND SHOULD NOT BE USED WITHOUT WRITTEN PERMISSION			