

## Excellent Integrated System Limited

Stocking Distributor

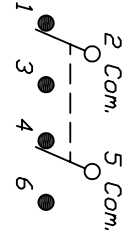
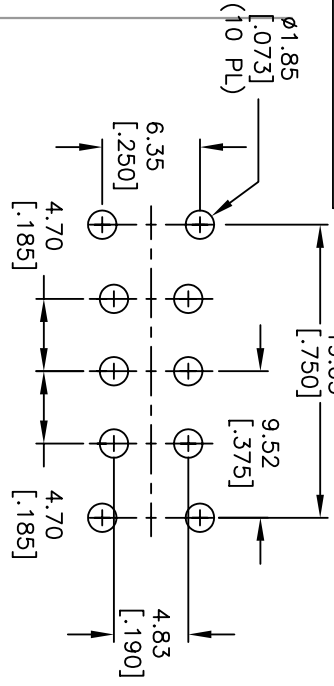
Click to view price, real time Inventory, Delivery & Lifecycle Information:

[E-Switch](#)  
[100DP4T6B11VS5REH](#)

For any questions, you can email us directly:

[sales@integrated-circuit.com](mailto:sales@integrated-circuit.com)

SHEET OF

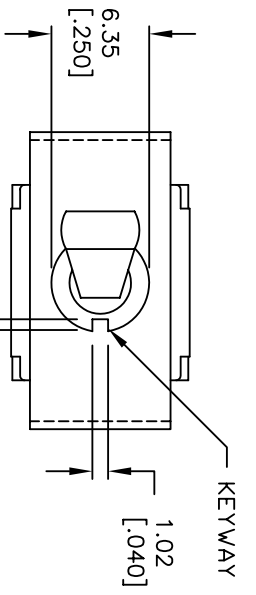


CIRCUIT: DPDT

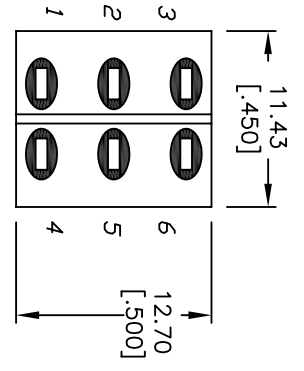
SWITCH FUNCTION			
PDS. 1	PDS. 2	PDS. 3	
<DN>	DFF	<DN>	
2-3,5-6	2-3,5-4	2-1,5-4	

NOTES:

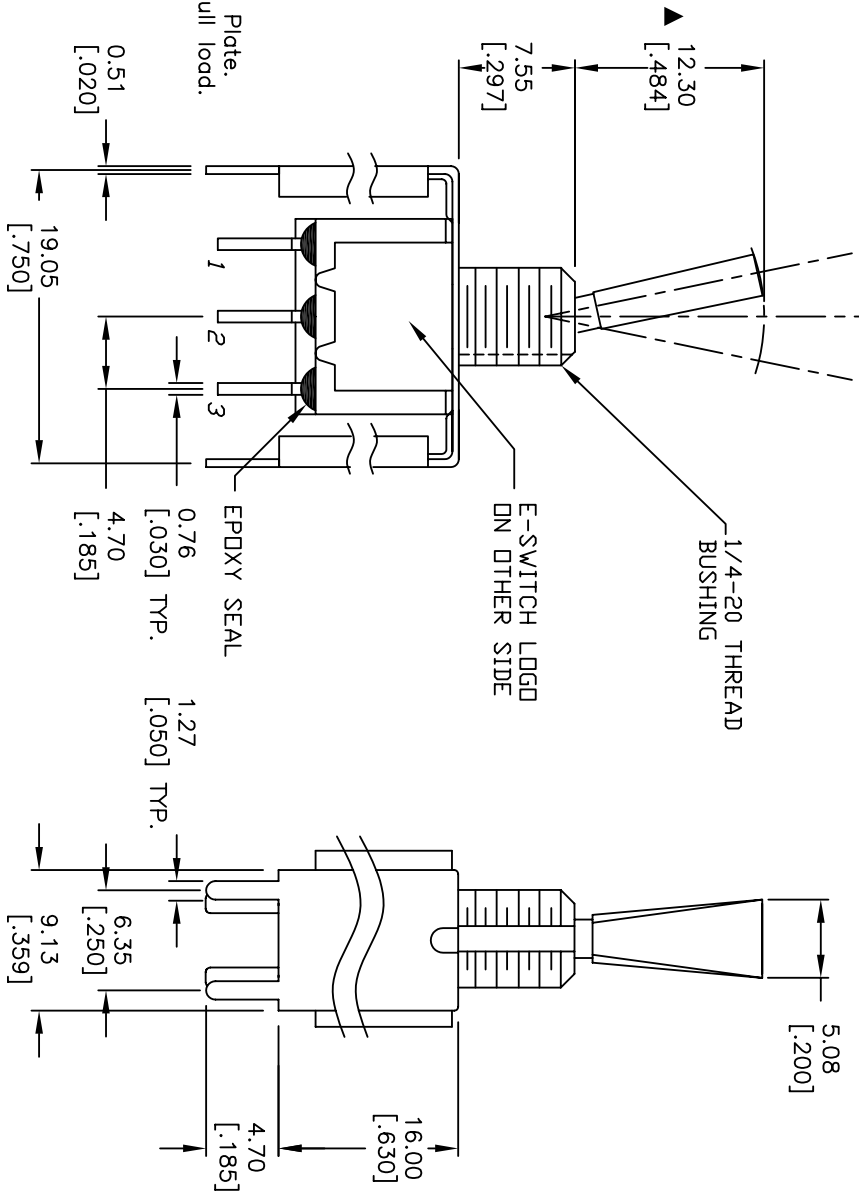
1. ALL DIMENSIONS IN MM [INCH]
2. GENERAL TOLERANCE: X.X=±0.4 X.XX=±0.25
3. TERM. NOS. FOR REF. ONLY
4. RATING: .4VA Max. @ 20V Max(ACor DC)
5. FIXED TERM. & MOVING CONTACT: Copper Alloy w/Gold Plate.
6. ELECTRICAL LIFE: 50,000 make-and-break cycles at full load.
7. INSULATION RESISTANCE: 1,000M ohm min.
8. DIELECTRIC STRENGTH: 1000V RMS @sea level
9. OPERATING TEMP.: -30°C to 85°C
10. ▲ DENOTES CRITICAL PARAMETER.
11. HARDWARE TO BE SUPPLIED BULK:  
T100011-LOCK WASHER QTY-1  
T100015-LOCK RING QTY-1  
T100000-HEX NUT QTY-2
12. 2002/95/EC (ROHS) COMPLIANT



PDS. 1 PDS. 2 PDS. 3



BOTTOM VIEW  
CROPPED FOR CLARITY



**E-SWITCH®**

100DP4T6B11VS5REH

REV.	ECN No.	DESCRIPTION	DATE	CHKD
A	10/28/05	RELEASED FOR PRODUCTION	10/28/05	PH

TITLE	SCALE	DATE	DR	DWG	REV
100DP4T6B11VS5REH	2:1	10/28/05	PH	ST102314	A

THE INFORMATION CONTAINED IN THIS DOCUMENT IS PROPRIETARY TO E-SWITCH AND IS NOT TO BE COPIED OR TRANSMITTED