

Excellent Integrated System Limited

Stocking Distributor

Click to view price, real time Inventory, Delivery & Lifecycle Information:

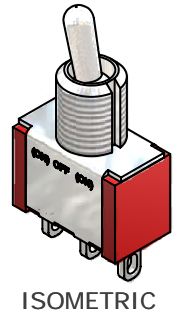
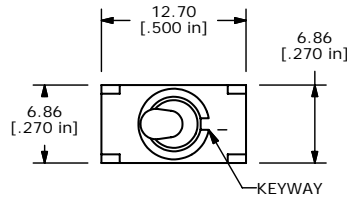
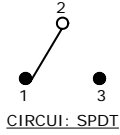
[E-Switch](#)
[100SP4T2B3M1QEH](#)

For any questions, you can email us directly:

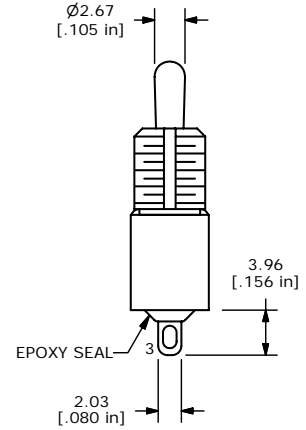
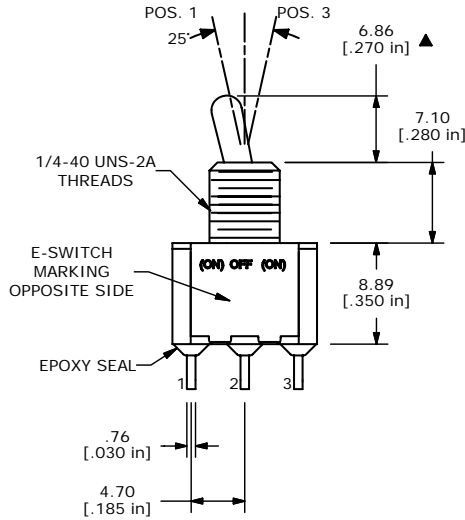
sales@integrated-circuit.com

SWITCH FUNCTION		
POS. 1	POS. 2	POS. 3
(ON)	OFF	(ON)
2-3	OPEN	2-1

() = MOMENTARY



- NOTE:
- ALL DIMENSIONS IN MM [INCH]
 - GENERAL TOLERANCE: X.XX=±0.4
X.XX=±0.25
 - TERMINAL NUMBERS FOR REF ONLY
 - ▲ PLATING MATERIAL: SILVER
 - RATING: 2A @ 250 VAC
5A @ 120 VAC OR 28 VDC
 - ELECTRIC LIFE: 40,000 MAKE-AND-BREAK CYCLES AT FULL LOAD.
 - INSULATION RESISTANCE: 1,000 MEGA-OHM MIN.
 - DIELECTRIC STRENGTH: 1,000 V RMS @SEA LEVEL.
 - OPERATING TEMP.: -30°C to 85°C
 - ▲ DENOTES CRITICAL PARAMETER.
 - 2002/95/EC (ROHS) COMPLIANT
 - ▲12. HARDWARE TO BE SHIPPED BULK
T100011 - LOCK WASHER (1)
T100015 - LOCK RING (1)
T100000 - HEX NUT (2)



REV	PCR NO	DESCRIPTION	DATE	BY
B	17198	FIXED BUSHING TO 7.1mm	4/18/07	TN
A	17156	RELEASED FOR PRODUCTION	4/4/07	TN

TITLE 100SP4T2B3M1QEH

SCALE	DATE	DR	DWG	REV
2:1	4/18/2007	TN	ST114026	B

THE INFORMATION CONTAINED IN THIS DOCUMENT IS PROPRIETARY TO E-SWITCH AND IS NOT TO BE COPIED OR TRANSFERRED