

Excellent Integrated System Limited

Stocking Distributor

Click to view price, real time Inventory, Delivery & Lifecycle Information:

[E-Switch](#)
[100SP4T7B13M2REH](#)

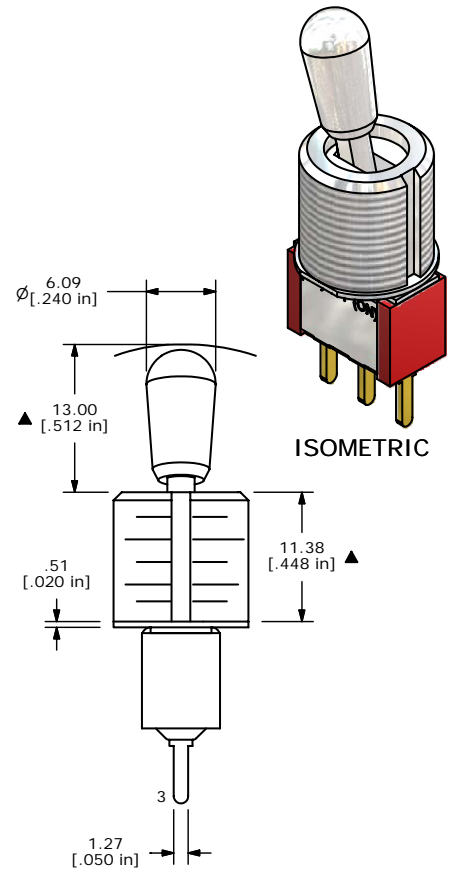
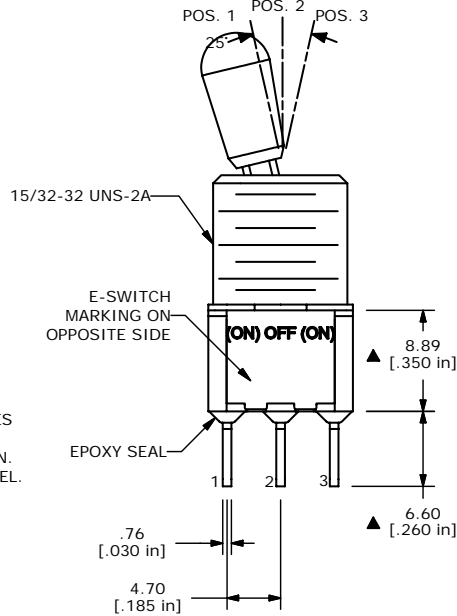
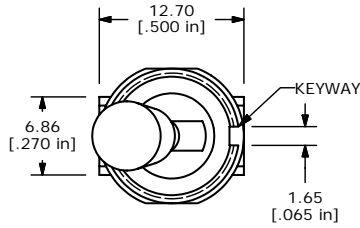
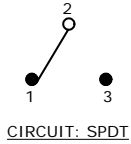
For any questions, you can email us directly:

sales@integrated-circuit.com

SHEET 1 OF 1

SWITCH FUNCTION		
POS. 1	POS. 2	POS. 3
(ON)	OFF	(ON)
2-3	OPEN	2-1

(ON) = MOMENTARY



- NOTE:
1. ALL DIMENSIONS IN MM [INCH]
 2. GENERAL TOLERANCE: X.X=±0.4 X.XX=±0.25
 3. TERMINAL NUMBERS FOR REF ONLY
 - ▲4. CONTACT MATERIAL: GOLD
 5. RATING: 0.4 VA MAX @ 20V MAX (AC OR DC)
 6. ELECTRIC LIFE: 40,000 MAKE-AND-BREAK CYCLES AT FULL LOAD.
 7. INSULATION RESISTANCE: 1,000 MEGA-OHM MIN.
 8. DIELECTRIC STRENGTH: 1,000 V RMS @SEA LEVEL.
 9. OPERATING TEMP.: -30°C to 85°C
 10. ▲ DENOTES CRITICAL PARAMETER.
 11. 2002/95/EC (ROHS) COMPLIANT
 - ▲12. HARDWARE TO BE SHIPPED BULK
 T100004 - HEXNUT - QTY 2
 T100012 - LOCKWASHER - QTY 1
 T100003 - LOCKRING - QTY 1



TITLE 100SP4T7B13M2REH

A	17190	RELEASED FOR PRODUCTION	4/17/07	TN
REV	PCR NO	DESCRIPTION	DATE	BY

THE INFORMATION CONTAINED IN THIS DOCUMENT IS PROPRIETARY TO E-SWITCH AND IS NOT TO BE COPIED OR TRANSFERRED

SCALE 2:1	DATE 4/17/2007	DR TN	DWG ST114084	REV A
-----------	----------------	-------	--------------	-------