

Excellent Integrated System Limited

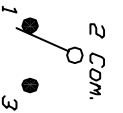
Stocking Distributor

Click to view price, real time Inventory, Delivery & Lifecycle Information:

[E-Switch](#)
[200AWMSP1T2A1M7RE](#)

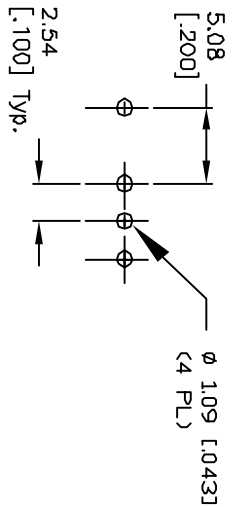
For any questions, you can email us directly:

sales@integrated-circuit.com

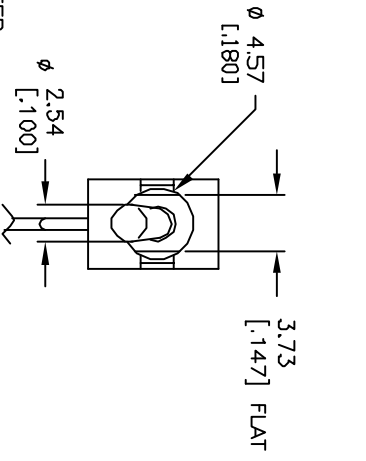


CIRCUIT: SPDT
 CONTACT CONFIGURATION

SWITCH FUNCTION		
POS. 1	POS. 2	POS. 3
DN	NONE	DN
2-3	OPEN	2-1

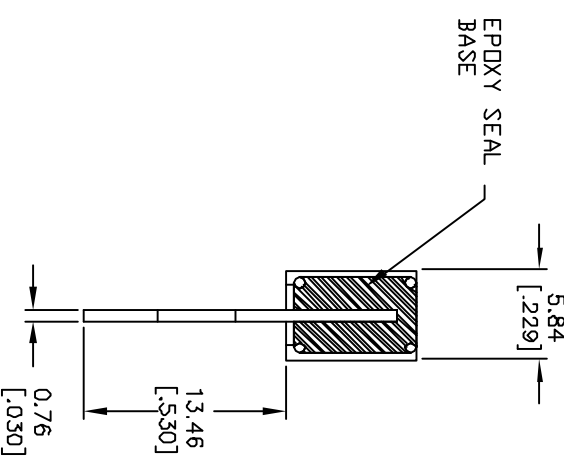
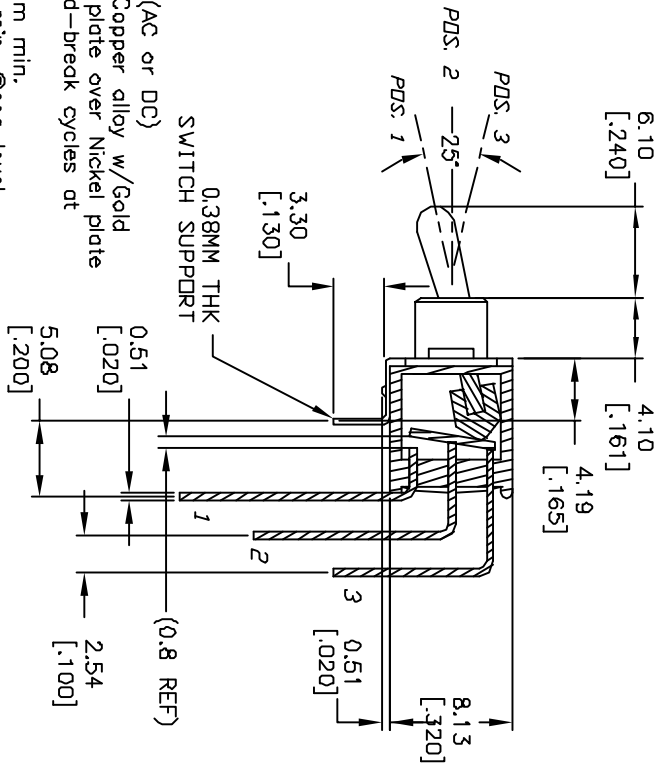


RECOMMENDED P.C.B. LAYOUT



NOTES:

1. ALL DIMENSIONS IN MM [INCH]
2. GENERAL TOLERANCE: X.XX=±0.04 X.XXX=±0.25
3. TERM. NOS. FOR REF. ONLY
4. RATING: 0.4(VA) max. @20V max. (AC or DC)
5. FIXED TERM. & MOVING CONTACT: Copper alloy w/Gold plate over Nickel plate
6. ELECTRICAL LIFE: 50,000 make-and-break cycles at full load.
7. INSULATION RESISTANCE: 1000M ohm min.
8. DIELECTRIC STRENGTH: 1000V RMS min. @sea level.
9. OPERATING TEMP.: -30°C to 85°C
- ▲ 10: ALL MUST BE BLACK ANODIZED: TOGGLE, BUSHING, & HARDWARE



REV.	ECN NO.	DESCRIPTION	DATE	CHKD
B	12514	Change view to cross section	10/28/02	RC
A	12484	RELEASED FOR PRODUCTION	10/14/02	CJB

TITLE	SCALE	DATE	DR	DWG	REV
200A W/MSP-1 T2 A1 M7 R E TOGGLE, HARDWARE, BUSHING BLACK ANODIZED	2:1	10/14/02	CJB	T201113	B



THE INFORMATION CONTAINED IN THIS DOCUMENT IS PROPRIETARY TO E-SWITCH AND IS NOT TO BE COPIED OR REPRODUCED