

Excellent Integrated System Limited

Stocking Distributor

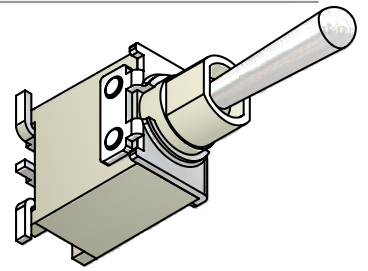
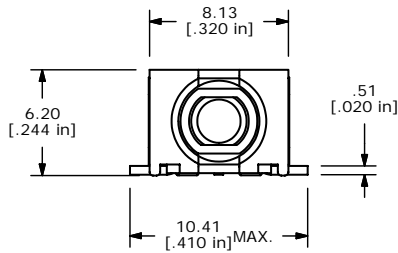
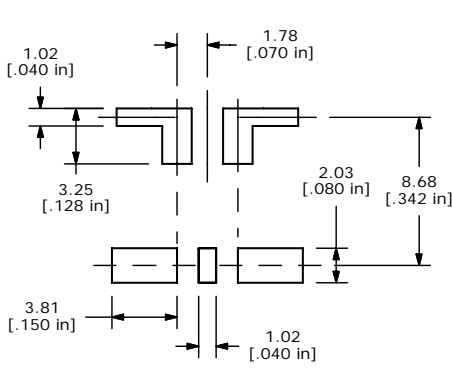
Click to view price, real time Inventory, Delivery & Lifecycle Information:

[E-Switch](#)
[200BWMSP5T1A1SM6RE](#)

For any questions, you can email us directly:

sales@integrated-circuit.com

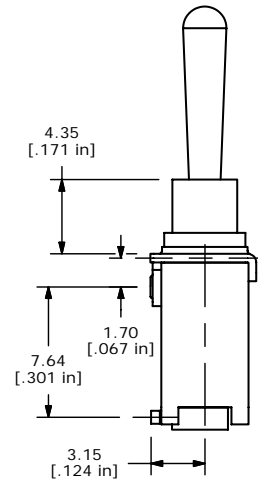
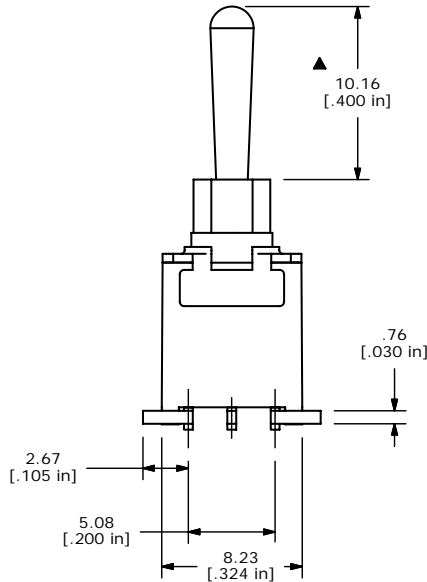
SHEET 1 OF 1



ISOMETRIC

SWITCH FUNCTION		
POS. 1	POS. 2	POS. 3
ON	OFF	(ON)
2-3	OPEN	2-1

(ON) = MOMENTARY



- NOTES:
1. ALL DIMENSIONS IN MM [INCH]
 2. TERMINAL NUMBERS FOR REF. ONLY
 3. GENERAL TOLERANCE: X.X=±0.4
X.XX=±0.25
 - ▲ 4. PLATING MATERIAL: GOLD
 5. RATING: 0.4VA MAX. @ 20VAC OR DC
 6. MECHANICAL LIFE: 50,000 MAKE AND BREAK CYCLES AT FULL LOAD
 7. INSULATION RESISTANCE: 1,000 MEGA-OHM MIN.
 8. DIELECTRIC STRENGTH: 1,000 V RMS@SEA LEVEL
 9. OPERATING TEMPERATURE: -30°C TO 85°C
 10. ▲ DENOTES CRITICAL PARAMETER
 11. 2002/95/EC (ROHS) COMPLIANT.



A	16235	NEW RELEASE	7/14/06	BK
REV	PCR NO	DESCRIPTION	DATE	BY

TITLE 200BWMSP5T1A1SM6RE				
SCALE 3:1	DATE 07/14/06	DR BK	DWG T833042	REV A

THE INFORMATION CONTAINED IN THIS DOCUMENT IS PROPRIETARY TO E-SWITCH AND IS NOT TO BE COPIED OR TRANSFERRED