

## Excellent Integrated System Limited

Stocking Distributor

Click to view price, real time Inventory, Delivery & Lifecycle Information:

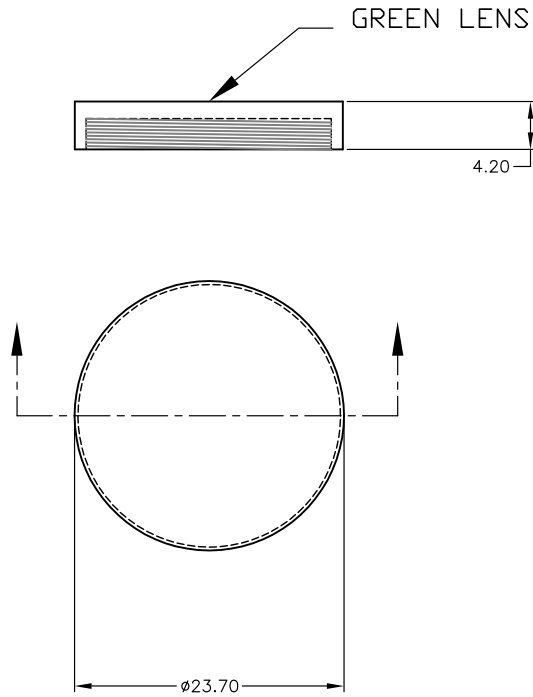
[E-Switch](#)

[29MMGRNLENS](#)

For any questions, you can email us directly:

[sales@integrated-circuit.com](mailto:sales@integrated-circuit.com)

SHEET OF



NOTES:

1. ALL DIMENSIONS IN MM
2. GENERAL TOLERANCE: X.XX=±0.25
3. MATERIALS: POLYCARBONATE (PC)
- ▲ 4. PACKAGED BETWEEN STYROFOAM TO ELIMINATE DEFECTS

**E-SWITCH®**

REV.	ECN No.	DESCRIPTION	DATE	CHKD	SCALE	DATE	DR	DWG	REV
A	13838	RELEASED FOR PRODUCTION	3/16/04	AR	2:1	3/16/04	AR	F060212	A
<small>THE INFORMATION CONTAINED IN THIS DOCUMENT IS PROPRIETARY TO E-SWITCH AND IS NOT TO BE COPIED OR TRANSFERRED</small>					<b>TITLE</b> 29MM GRN LENS				