

Excellent Integrated System Limited

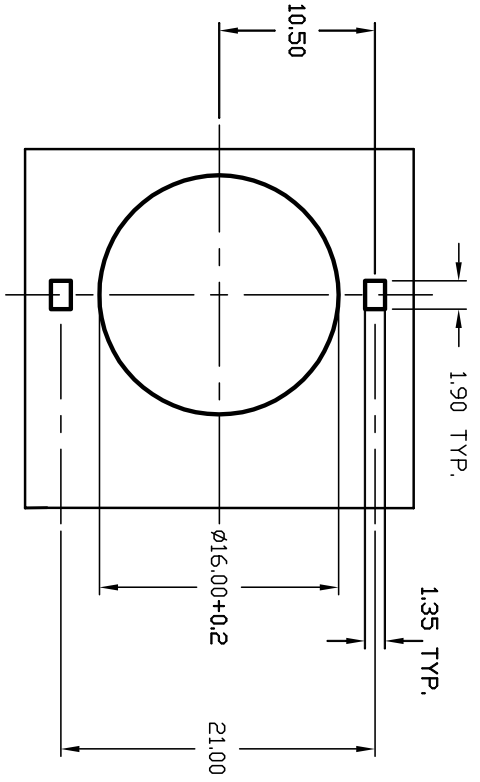
Stocking Distributor

Click to view price, real time Inventory, Delivery & Lifecycle Information:

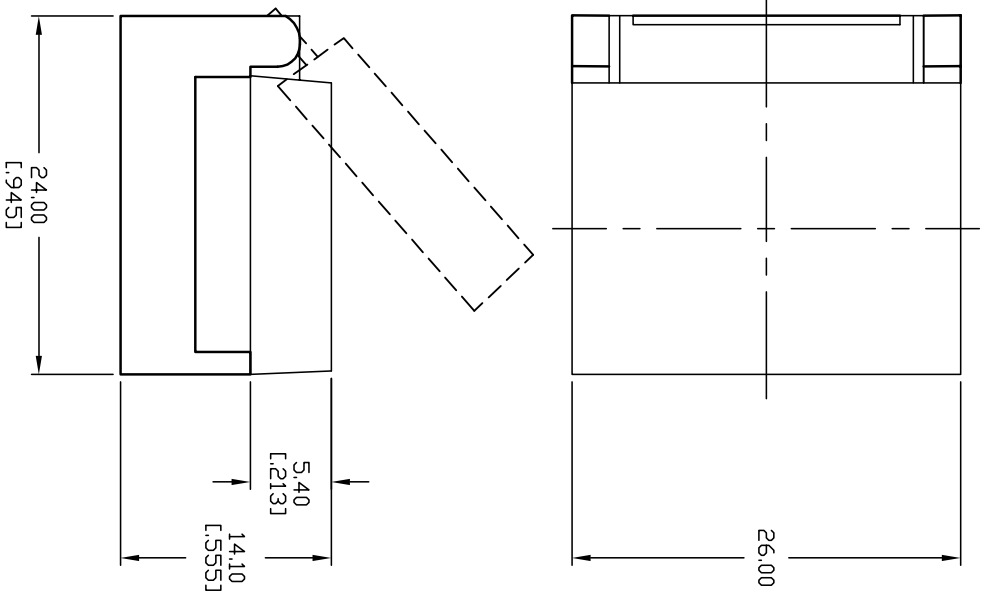
[E-Switch](#)
[5001112PROTECTIONCAP](#)

For any questions, you can email us directly:

sales@integrated-circuit.com



REAR VIEW



- NOTES:
1. ALL DIMENSIONS IN MM
 2. GENERAL TOLERANCE:

REV.	ECN No.	DESCRIPTION	DATE	CHKD
A	13358	RELEASED FOR PRODUCTION	8/11/03	AR
THE INFORMATION CONTAINED IN THIS DOCUMENT IS PROPRIETARY TO E-SWITCH AND IS NOT TO BE COPIED OR TRANSFERRED				

TITLE		50-011-12 (PROTECTIVE CAP)		
SCALE		2:1		
DATE		8/11/03		
DR		AR		
DWG		F051104		
REV		A		

E-SWITCH®

FOR RECTANGULAR HEAD 180°