

## Excellent Integrated System Limited

Stocking Distributor

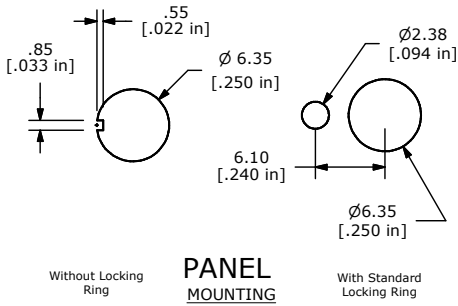
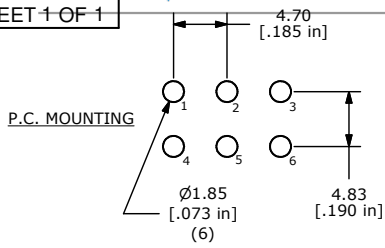
Click to view price, real time Inventory, Delivery & Lifecycle Information:

[E-Switch](#)  
[700ADP7B10M2QE](#)

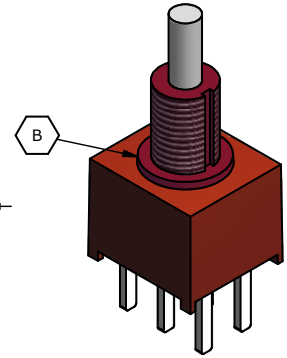
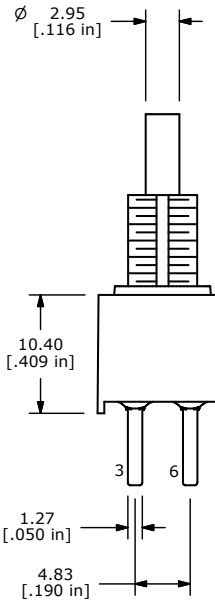
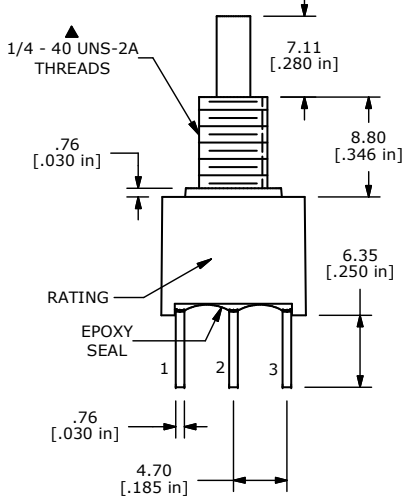
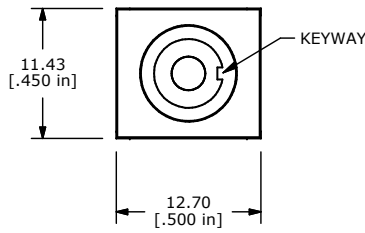
For any questions, you can email us directly:

[sales@integrated-circuit.com](mailto:sales@integrated-circuit.com)

SHEET 1 OF 1

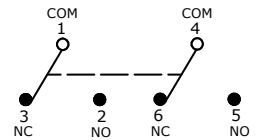


- NOTE:
1. ALL DIMENSIONS IN MM [INCH]
  2. GENERAL TOLERANCE: X.X=±0.4 X.XX=±0.25
  3. TERMINAL NUMBERS FOR REF ONLY
  - ▲ 4. PLATING MATERIAL: SILVER
  5. CONTACT RESISTANCE: 20 MILLI-OHMS MAX.
  6. RATING: 1A @250VAC, 3A @ 120VAC (or 28VDC)
  7. LIFE EXPECTANCY: 50,000 make-and-break cycles at full load.
  8. INSULATION RESISTANCE: 1,000 Mega-ohm min.
  9. DIELECTRIC STRENGTH: 1,500 V RMS @sea level.
  10. SEAL RATING: IP-67
  11. OPERATING TEMP.: -30°C to 75°C
  12. ▲ DENOTES CRITICAL PARAMETER.
  13. 2002/95/EC (ROHS) COMPLIANT.



▲ SWITCH FUNCTION	
POS. 1	POS. 2
ON	(ON)
1-3, 4-6	1-2, 4-5

(ON) = MOMENTARY



B	21591	BUSHING BASE WAS OVAL, NOW ROUND	9/23/14	EBP
A	18384	RELEASED FOR PRODUCTION	1/23/09	BLR
REV	PCR NO	DESCRIPTION	DATE	BY

TITLE 700ADP7B10M2QE				
SCALE 2:1	DATE 1/23/2009	DR BLR	DWG T750105	REV B

THE INFORMATION CONTAINED IN THIS DOCUMENT IS PROPRIETARY TO E-SWITCH AND IS NOT TO BE COPIED OR TRANSFERRED