

Excellent Integrated System Limited

Stocking Distributor

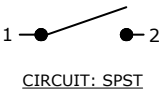
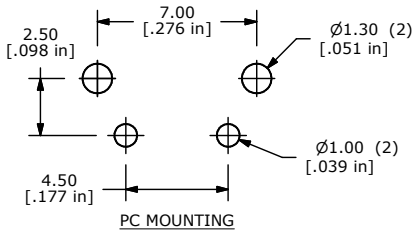
Click to view price, real time Inventory, Delivery & Lifecycle Information:

[E-Switch](#)
[LL1105QF065Q](#)

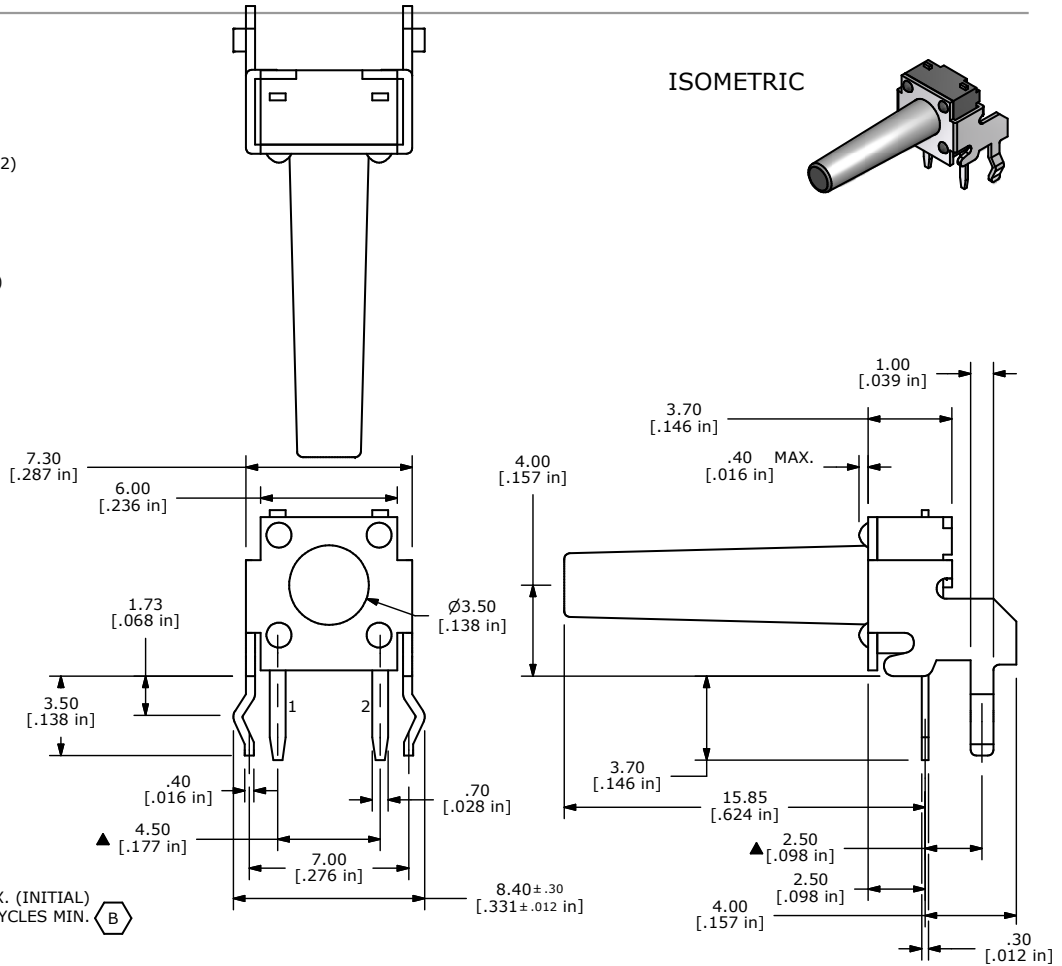
For any questions, you can email us directly:

sales@integrated-circuit.com

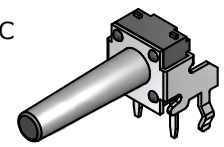
SHEET 1 OF 1



- NOTES:
 1. ALL DIMENSIONS IN MM
 2. GENERAL TOLERANCE: X.X=±0.4
 X.XX=±0.25
 3. TERM. NOS. FOR REFERENCE ONLY.
 4. RATING: 12VDC, 50mA
 ▲5. OPERATING FORCE: 65 ± 20gf (B)
 6. TRAVEL: 0.25 +0.2/-0.1 mm
 7. CONTACT RESISTANCE: 50 MILLI OHMS MAX. (INITIAL)
 8. MECHANICAL/ELECTRICAL LIFE 5,000,000 CYCLES MIN. (B)
 ▲9. CONTACT MATERIAL: SILVER
 10. ▲DENOTES CRITICAL PARAMETER
 11. 2002/95/EC (ROHS) COMPLIANT
 12. PACKAGING: 750 PIECES/POLY BAG (B)



ISOMETRIC



TITLE LL1105QF065Q			
SCALE 4:1	DATE 12/17/2009	DR BLR	DWG P010252
			REV B

THE INFORMATION CONTAINED IN THIS DOCUMENT IS PROPRIETARY TO E-SWITCH AND IS NOT TO BE COPIED OR TRANSFERRED