

Excellent Integrated System Limited

Stocking Distributor

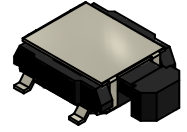
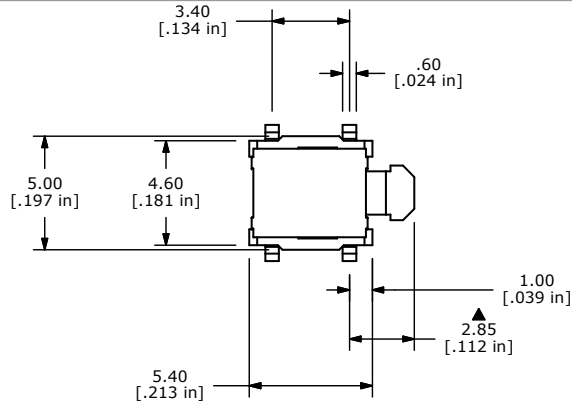
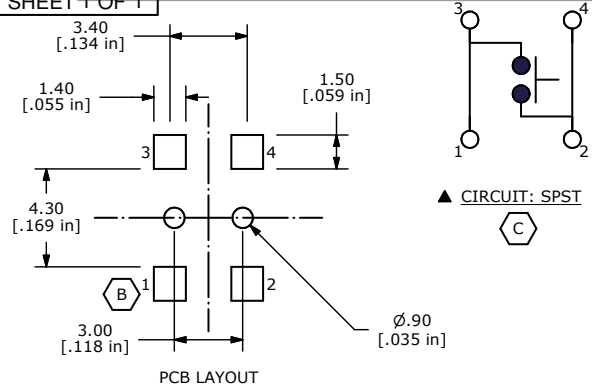
Click to view price, real time Inventory, Delivery & Lifecycle Information:

[E-Switch](#)
[TL3901AGQF180](#)

For any questions, you can email us directly:

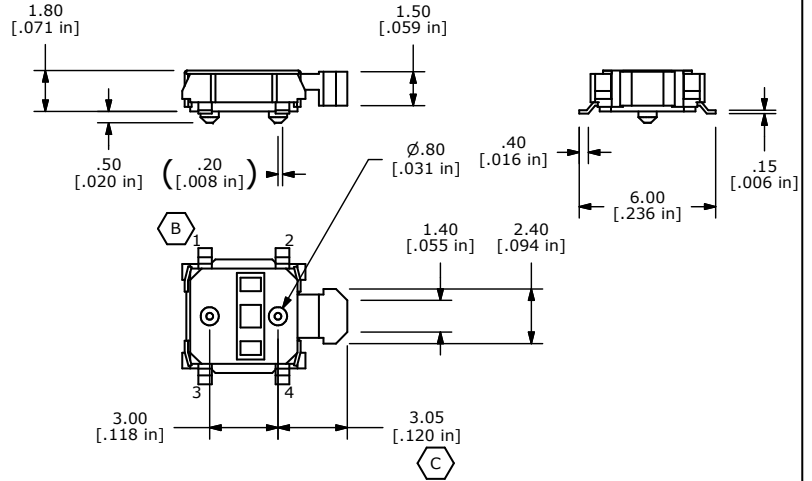
sales@integrated-circuit.com

SHEET 1 OF 1



NOTES:

1. ALL DIMENSIONS IN MM
2. GENERAL TOLERANCE: X.X=±0.4
X.XX=±0.25
3. TERM. NOS. FOR REFERENCE ONLY.
4. RATING: 12VDC, 50mA
5. OPERATING FORCE: 180 +80/-40 gms
6. TRAVEL: 0.3mm ±0.15
7. CONTACT RESISTANCE: 500 MILLI OHMS MAX. (INITIAL)
8. INSULATION RESISTANCE: 100M OHMS AT 500 VDC
9. DIELECTRIC STRENGTH: 250VAC FOR 1 MINUTE
10. MECHANICAL/ELECTRICAL LIFE 50,000 CYCLES MIN.
11. PACKAGE: TAPE AND REEL - 2,000 PIECES PER REEL.
12. ▲ DENOTES CRITICAL PARAMETER
13. 2002/95/EC (ROHS) COMPLIANT
14. OPERATING TEMP: -40°C TO +85°C B



C	20961	CORRECT CIRCUIT DIAGRAM, ADD DIM	1/10/13	EBP
B	20771	ADD TERMINAL NUMBERS & OP TEMP	9/25/12	EBP
A	20685	NEW RELEASE	7/23/12	RC
REV	PCR NO	DESCRIPTION	DATE	BY

THE INFORMATION CONTAINED IN THIS DOCUMENT IS PROPRIETARY TO E-SWITCH AND IS NOT TO BE COPIED OR TRANSFERRED

TITLE TL3901AGQF180				
SCALE	DATE	DR	DWG	REV
	7/23/2012	RC	P010961	C