

## **Excellent Integrated System Limited**

Stocking Distributor

Click to view price, real time Inventory, Delivery & Lifecycle Information:

[Knowles](#)

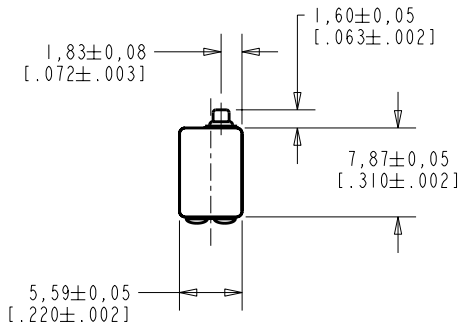
[EF-30037-000](#)

For any questions, you can email us directly:

[sales@integrated-circuit.com](mailto:sales@integrated-circuit.com)

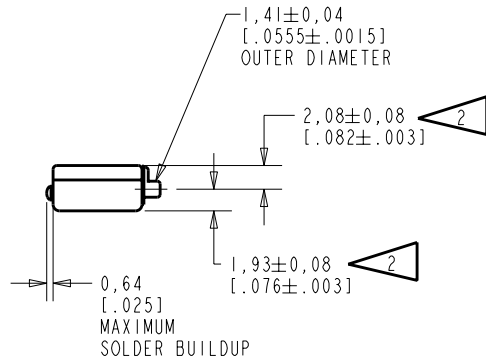
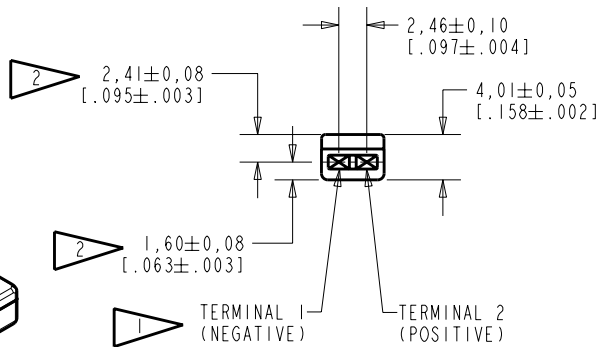
**EF-30037-000**

SHT 1.1



NOTES:

- 1 A POSITIVE GOING VOLTAGE AT TERMINAL 2, RELATIVE TO TERMINAL 1, CAUSES A DECREASE IN PRESSURE AT THE SOUND OUTLET.
- 2 LOCATED FROM TWO SURFACES FOR CUSTOMER CONVENIENCE. ONLY APPLICABLE FROM ONE SURFACE, NOT TO BE USED TOGETHER. HORIZONTAL LOCATION FOR TERMINAL CENTERED TO ±0,17 [.007].



NOMINAL WEIGHT  
.66 GRAM

DIMENSIONS IN MILLIMETERS [INCHES]

Revision	C.O. #	Implementation Date	RELEASE LEVEL	REVISION
A	C10104592	7-14-06	Released	A

**KNOWLES ELECTRONICS**  
ITASCA, ILLINOIS U.S.A.

SCALE:	2:1		DR. BY	DATE
	DO NOT SCALE DRAWING		AB	7-14-06
TITLE:	RECEIVER	EF-30037-000	CK. BY	DATE
	OUTLINE DRAWING	SHT 1.1	CRG	7-19-06
			APP. BY	DATE
			GJP	7-19-06

KE111ASIZE.FRM

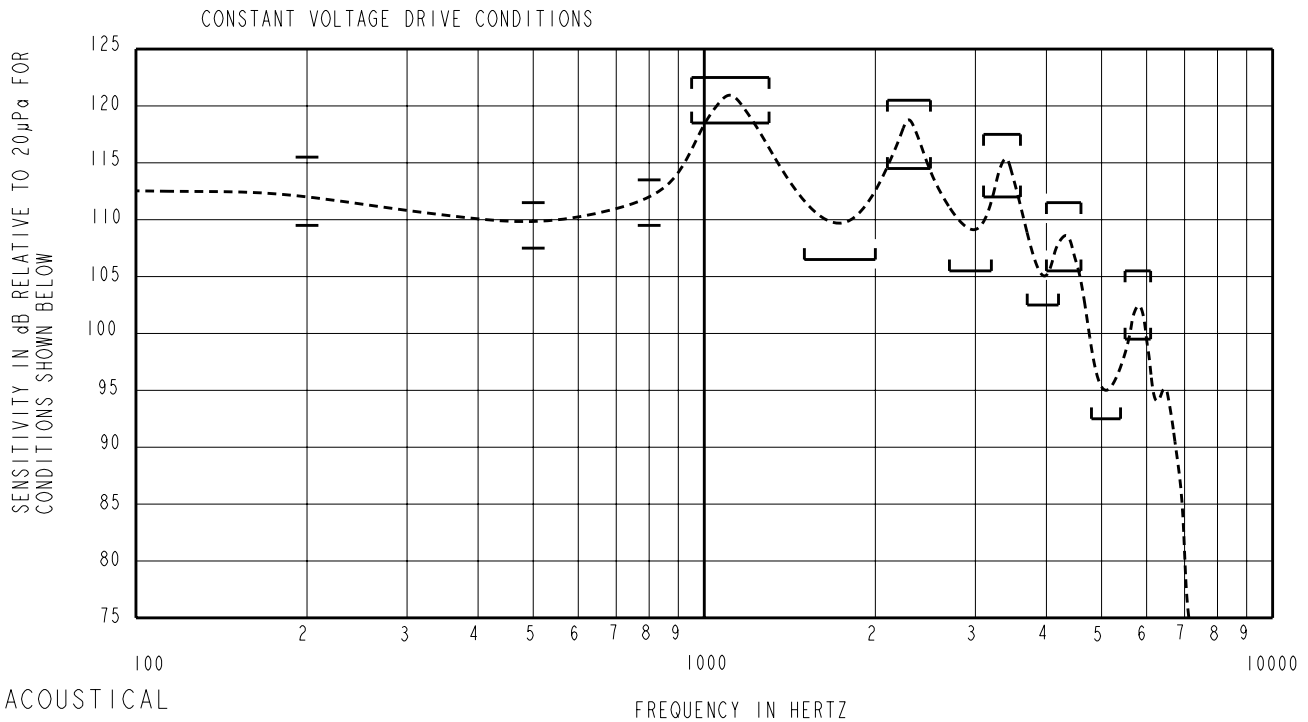
Rev: B

THE EF-30037-000 IS A SHOCK PROTECTED EF-26338-000 BALANCED ARMATURE RECEIVER INTENDED FOR USE IN BTE HEARING INSTRUMENTS.

NO DAMPING

EF-30037-000

SHEET 2.1



SENSITIVITY DEVICE WILL PRODUCE THE SPL LISTED BELOW UNDER TEST CONDITIONS DESCRIBED IN TABLE 3. NOMINAL SENSITIVITY AT 500 Hz IS dB RELATIVE TO 20µPa. ALL OTHER VALUES IN dB RELATIVE TO THE SENSITIVITY AT 500 Hz.

FREQUENCY (Hz)	MINIMUM	NOMINAL	MAXIMUM
200	0.0	+3.0	+6.0
500	-2.0	+109.5	+2.0
800	0.0	+2.0	+4.0
950-1300	+9.0	+11.0	+13.0
1500-2000	-3.0	-	-
2100-2500	+5.0	+8.0	+11.0
2700-3200	-4.0	-	-
3100-3600	+2.5	+5.5	+8.5
3700-4200	-7.0	-	-
4000-4600	-4.0	-1.0	+2.0
4800-5400	-17.0	-	-
5500-6100	-10.0	-7.0	-4.0

PORT LOCATION: IS

TABLE 1

TOTAL HARMONIC DISTORTION DEVICE WILL NOT EXCEED TOTAL HARMONIC DISTORTION LEVELS LISTED BELOW.

FREQUENCY (Hz)	AC DRIVE (V rms)	DC BIAS (mA)	LIMIT (%)
500	0.118	0	5
500	0.210	0	10

TABLE 2

TEST CONDITIONS

NOMINAL SOURCE VOLTAGE	0.118 V rms, 0 mA DC BIAS
SOURCE IMPEDANCE	<1 Ohm
TUBING	8mm x 1mm ID + 28mm x 1.5mm ID EAR HOOK SIMULATOR + 25mm x 2mm ID TUBE + 18mm x 3mm ID TUBE
COUPLER CAVITY	2 CM <sup>3</sup> , SIMULATED ANSI S3.7 TYPE HA-3 (IEC 126)

TABLE 3

ELECTRICAL

DC RESISTANCE	15 Ohms ± 10%
IMPEDANCE @ 500 Hz	40 Ohms ± 15%
IMPEDANCE @ 1kHz	98 Ohms ± 15%

TABLE 4

ISOLATION: CASE WILL BE ELECTRICALLY ISOLATED FROM THE COIL CIRCUIT.