

## Excellent Integrated System Limited

Stocking Distributor

Click to view price, real time Inventory, Delivery & Lifecycle Information:

[Wurth Electronics Inc](#)  
[7498111001](#)

For any questions, you can email us directly:

[sales@integrated-circuit.com](mailto:sales@integrated-circuit.com)

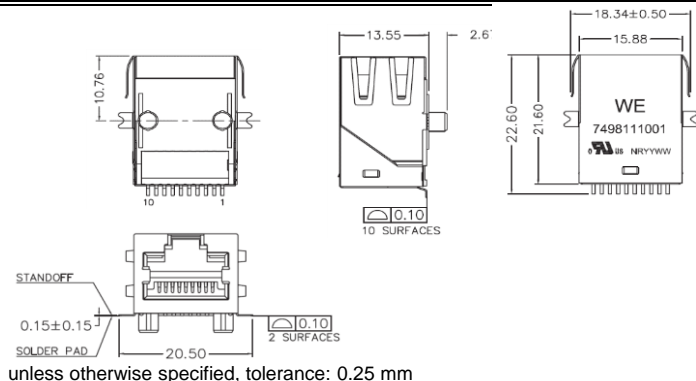
## Spezifikation für Freigabe / specification for release

Kunde / customer :  
 Artikelnummer / part number : **7498111001**  
 Bezeichnung : **LAN-Übertrager WE-RJ45LAN 1000Base-T**  
 description : **LAN-Transformer WE-RJ45LAN 1000Base-T**

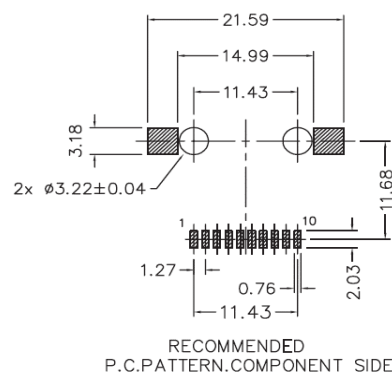


DATUM / DATE : 2016-02-24

### A Mechanische Abmessungen / dimensions :



### B Lötpad / soldering spec. :



### C Elektrische Eigenschaften / electrical properties :

Eigenschaften / properties	Testbedingungen /		Wert / value	Einheit / unit	tol.
Induktivität / Inductance	100kHz / 100mV @ 8mA DC-Bias	OCL	350	µH	min.
Übersetzungsverhältnis / Turns ratio	100kHz / 100mV	TR	1 : 1	Tx	2%
			1 : 1	Rx	
Insertion Loss	1-100MHz	IL	-1.0	dB	max.
Return Loss	1-30MHz	RL	-18	dB	min.
	30-60MHz		-15		
	60-80MHz		-12		
	80-100MHz		-10		
Common Mode Rejection	1-30MHz	CMR	-35	dB	min.
	30-100MHz		-30		
Crosstalk	1-30MHz	CT	-37	dB	min.
	30-60MHz		-32		
	60-100MHz		-27		

### D Prüfgeräte / test equipment :

Agilent 4395A Network Analyzer

### E Testbedingungen / test conditions :

Luftfeuchtigkeit / humidity: 33%  
 Umgebungstemperatur / temperature: +25°C

### F Werkstoffe & Zulassungen / material & approvals :

Basismaterial / base material: Ferrit/ ferrite  
 Draht / wire: QPN 180  
 Kontaktmaterial/ contact plating: 100% tin w. nickel underplating  
 30µ"gold plating on contact area  
 Gehäuse / housing: Thermoplastic UL-94V0  
 LED  
 Shield: 50µ" nickel over 0.01" cooper alloy

### G Eigenschaften / general specifications :

Betriebstemp. / operating temperature: -40°C - + 85°C  
 Hochspannungsprüfung / Hipot test: 1500Vrms 1min.  
 Geeignet für 10/100Base-TX gemäß IEEE 802.3u / Compliant with IEEE 802.3u for 10/100Base-TX-Applications  
 Auto MDIX fähig / Auto MDIX capable  
 UL File: E330599

Freigabe erteilt / general release:	<b>Kunde / customer</b>		
	.....		
Datum / date	Unterschrift / signature		
	<b>Würth Elektronik</b>		
	.....		
Geprüft / checked	MMai		Revision 00
	Name		Datum / date
	Änderung / modification		Datum / date

**Würth Elektronik eiSos GmbH & Co.KG**

**Spezifikation für Freigabe / specification for release**

Kunde / customer :

Artikelnummer / part number : **7498111001**

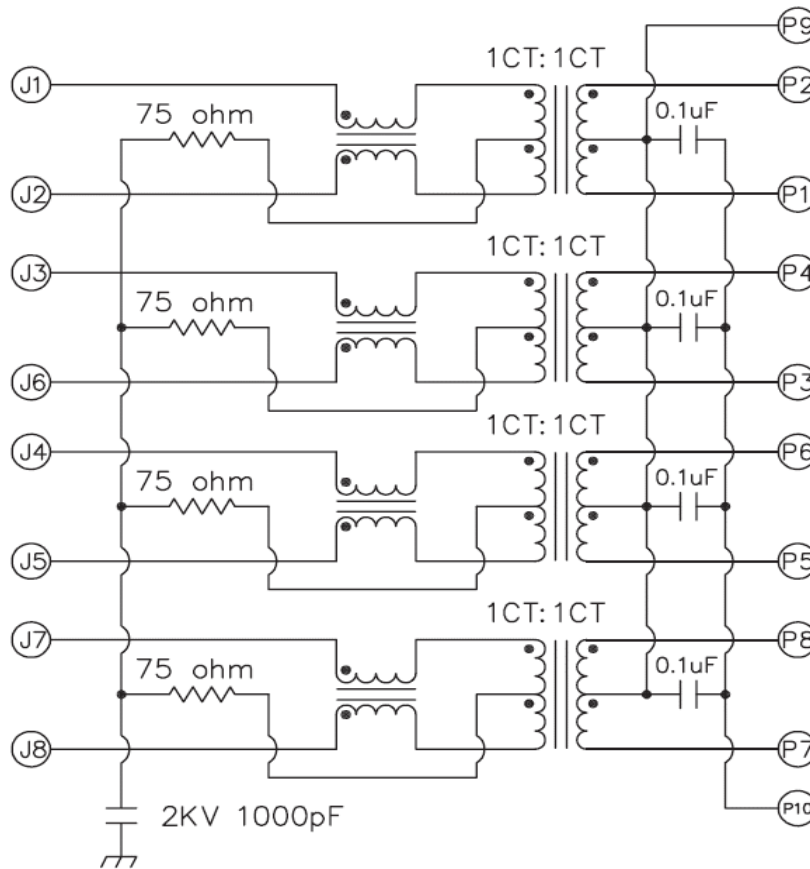
Bezeichnung : **LAN-Übertrager WE-RJ45LAN 1000Base-T**

description : **LAN-Transformer WE-RJ45LAN 1000Base-T**



DATUM / DATE : 2016-02-24

**H Schaltbild / Schematics :**



Freigabe erteilt / general release:	<b>Kunde / customer</b>		
Datum / date	Unterschrift / signature		
	<b>Würth Elektronik</b>		
		MMai	Revision 00
Geprüft / checked	Kontrolliert / approved	Name	Änderung / modification
			Datum / date

**Würth Elektronik eiSos GmbH & Co.KG**

**Spezifikation für Freigabe / specification for release**

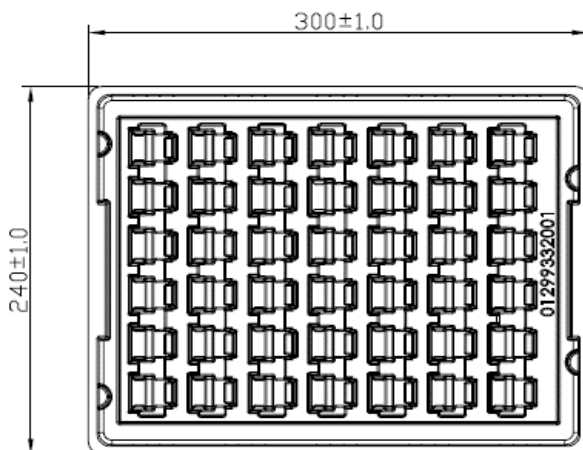
Kunde / customer :  
 Artikelnummer / part number : **7498111001**  
 Bezeichnung : **LAN-Übertrager WE-RJ45LAN 1000Base-T**  
 description : **LAN-Transformer WE-RJ45LAN 1000Base-T**



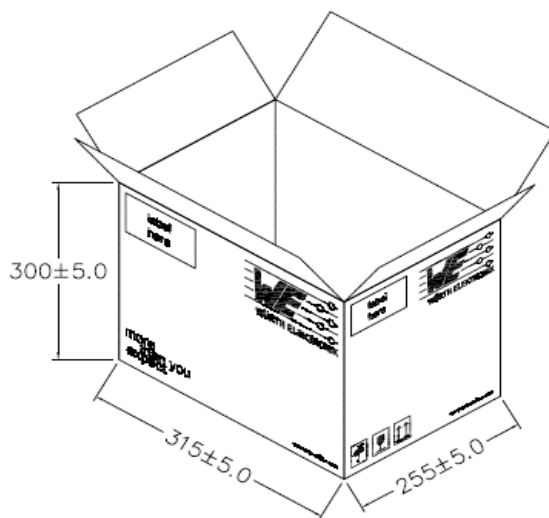
**DATUM / DATE : 2016-02-24**

**I Verpackungsspezifikation / package specification :**

**Tray:**



**Carton:**



**Packing Quantity:**

tray= 42pcs  
 carton= 588pcs

**dimensions in mm**

Freigabe erteilt / general release:	<b>Kunde / customer</b>			
.....	.....			
Datum / date	<b>Unterschrift / signature</b>			
	<b>Würth Elektronik</b>			
.....	.....	MMai	Revision 00	2016-02-24
Geprüft / checked	<b>Kontrolliert / approved</b>	Name	<b>Änderung / modification</b>	Datum / date

This electronic component has been designed and developed for usage in general electronic equipment. Before incorporating this component into any equipment where higher safety and reliability is especially required or if there is the possibility of direct damage or injury to human body, for example in the range of aerospace, aviation, nuclear control, submarine, transportation, (automotive control, train control, ship control), transportation signal, disaster prevention, medical, public information network etc, Würth Elektronik eiSos GmbH must be informed before the design-in stage. In addition, sufficient reliability evaluation checks for safety must be performed on every electronic component which is used in electrical circuits that require high safety and reliability functions or performance.

**Würth Elektronik eiSos GmbH & Co.KG**

D-74638 Waldenburg · Max-Eyth-Straße 1 - 3 · Germany · Telefon (+49) (0) 7942 - 945 - 0 · Telefax (+49) (0) 7942 - 945 - 400  
<http://www.we-online.com>