

Excellent Integrated System Limited

Stocking Distributor

Click to view price, real time Inventory, Delivery & Lifecycle Information:

[Molex Connector Corporation](#)

[08-50-0276](#)

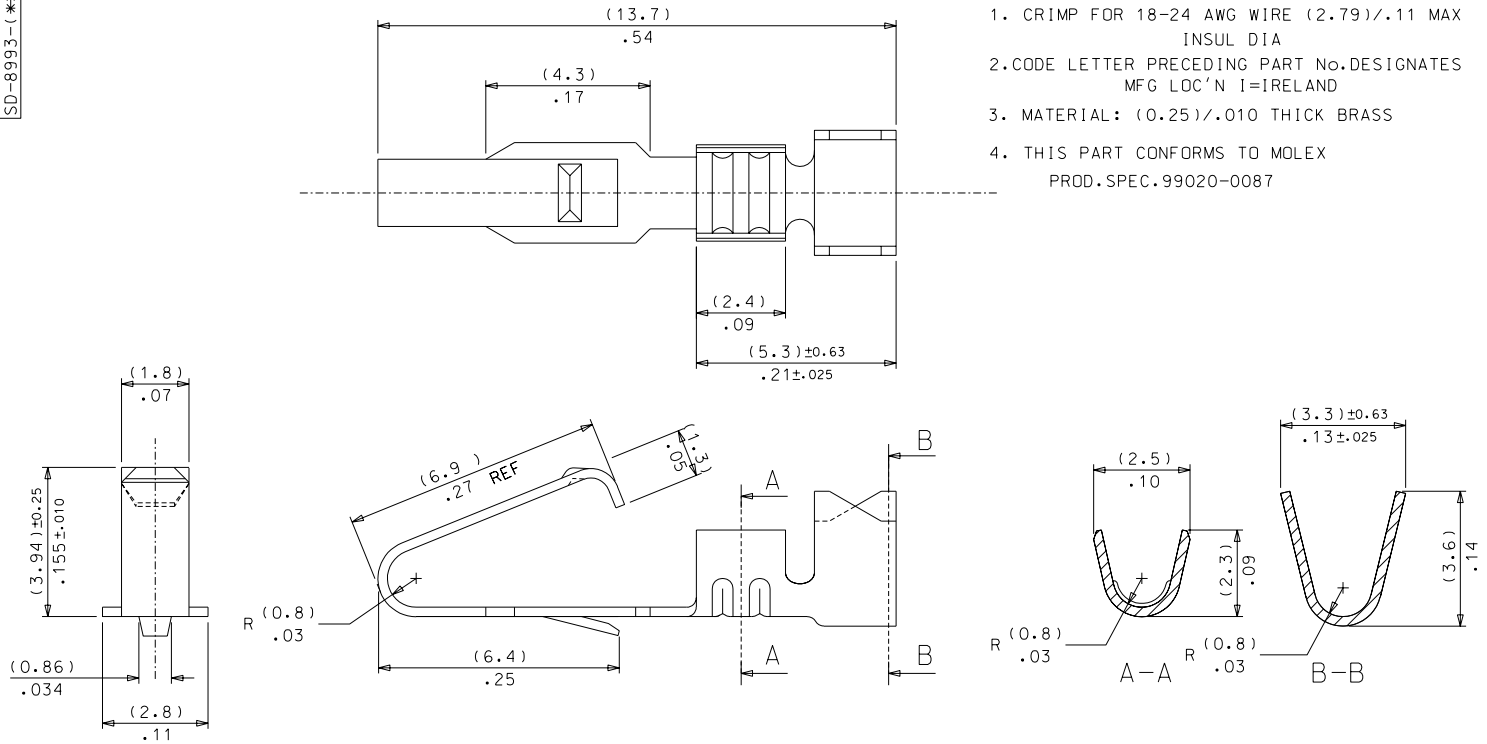
For any questions, you can email us directly:

sales@integrated-circuit.com

PART NO. SEE CHART
DWG. NO. SD-8993-(****)*

NOTES:

1. CRIMP FOR 18-24 AWG WIRE (2.79)/.11 MAX INSUL DIA
2. CODE LETTER PRECEDING PART No. DESIGNATES MFG LOC'N I=IRELAND
3. MATERIAL: (0.25)/.010 THICK BRASS
4. THIS PART CONFORMS TO MOLEX PROD. SPEC. 99020-0087



| PART No. | ENG No. | FORM | FINISH |
|--------------|--------------|-------|---|
| 08-50-0011 | 8993-(P125) | CHAIN | (P125) HOT TIN DIP |
| NOT TOOLED | 8993-(P125)L | LOOSE | .000100/.000250 (PRE PLATE) |
| I 08-50-0277 | 8993-(P902) | CHAIN | (P902) HOT TIN DIP |
| I 08-50-0276 | 8993-(P902)L | LOOSE | .00040/.000100 FOR INT'L USE ONLY (PRE PLATE) |

| | | | | | | | | |
|--|--|---|--------------------------------------|---|--|--|------------|---------------------|
| CHANGED PLATING CODES EC NO. L2004-0036 DRWN: P. SHEAHAN 03/07/14 CHK: / / / / APPR: / / / / REV: / / / / | QUALITY SYMBOLS MAJOR = CRITICAL = | GENERAL TOLERANCES: (UNLESS SPECIFIED): | SCALE 10:1 | DESIGN UNITS <input type="checkbox"/> mm <input type="checkbox"/> INCH | THIRD ANGLE PROJECTION <input checked="" type="checkbox"/> THIRD ANGLE <input type="checkbox"/> FIRST ANGLE | DIMENSIONS: <input checked="" type="checkbox"/> mm <input type="checkbox"/> INCH <input type="checkbox"/> mm ONLY <input type="checkbox"/> INCH ONLY | SHT REV | |
| | | 4 PLACES ±0. ±. 3 PLACES ±0. ±.010 2 PLACES ±0.20 ±.014 1 PLACE ±0.30 ±. | DRAWN BY & DATE T. MAHON 98/10/26 | TITLE: TERMINAL, CRIMP STYLE | | MOLEX INCORPORATED | | SHEET NO. 1 OF 1 |
| | | ANGULAR: ± 1/2° DRAFT WHERE APPLICABLE MUST REMAIN WITHIN DIMENSIONS | CAD FILENAME S8993X1.DGN | MATERIAL NO. SEE CHART | DRAWING NO. SD-8993-**** | THIS DRAWING CONTAINS INFORMATION THAT IS PROPRIETARY TO MOLEX INCORPORATED AND SHOULD NOT BE USED WITHOUT WRITTEN PERMISSION. | | SIZE B |