

Excellent Integrated System Limited

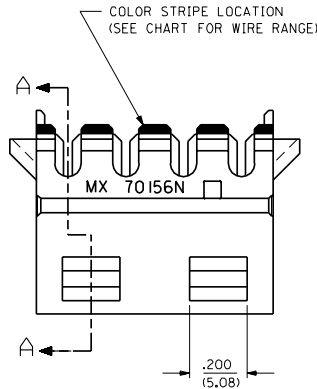
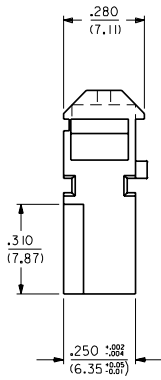
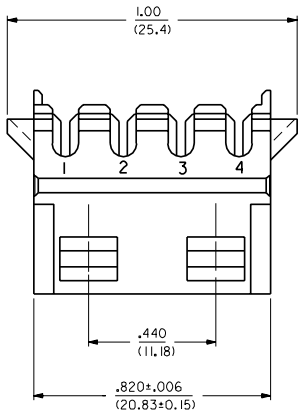
Stocking Distributor

Click to view price, real time Inventory, Delivery & Lifecycle Information:

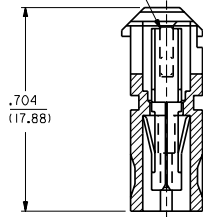
[Molex Connector Corporation](#)
[15-24-2000](#)

For any questions, you can email us directly:

sales@integrated-circuit.com



SEE NOTE #4

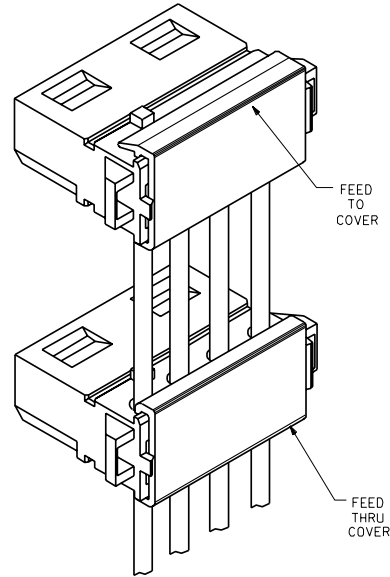


SECTION A-A

.0805±.0010 DIA.
(2.045±0.025)
(TERMINAL BARREL)

NOTES:

1. ALL WIRES TO HAVE A MAX. DIAMETER OVER INSULATION OF .095/(2.41).
2. COVERS ARE SUGGESTED TO RETAIN WIRES. FEED TO DRAWING NO. SD-70156-4000, FEED THRU DRAWING NO. SD-70156-3000. SEE SHEET 2 FOR AVAILABLE KITS.
3. MATERIAL: HOUSING-NYLON, TYPE 6/6, 94V-2, COLOR: NATURAL
HOUSING-POLYESTER, 94V-0
COLOR: WHITE
TERMINAL-PHOSPHOR BRONZE
4. .008/(0.20) MAX. VERTICAL PROJECTION DUE TO CARRIER CUT-OFF.
5. PS-70156-**** APPLIES.
6. SDES-70156 APPLIES.
7. PK-70873-0250 APPLIES.



E	TRANSFER TO INDIA ECN U21 8999-0929 SCHAFER 99/04/20
D2	ADDED PART NO. PER ECN U6-0835 02/08/96 DRS
D1	ADDED PART NO. PER ECN U8-0148 09/01/94 DRS
D	MODIFIED PER ECN U2-1589 10-28-92 DRS
C1	ADDED NOTE #7 PER ECN U2-1007 07-06-92 DRS
C	MOD. WIRE SELECTION PER ECN U2-0873 06-08-92 DRS
B	MOD. WIRE SELECTION PER ECN U2-0718 05-07-92 DRS
A	X-RELEASE PER ECN U2-0581 04-15-92 DRS

DIMENSIONS SHOWN METRIC INCH UNLESS OTHERWISE SPECIFIED TOLERANCES UNLESS OTHERWISE SPECIFIED		MFG. SH. REV. LTR. REVISIONS	
3 PLACE ± --- --- 2 PLACE # --- # --- 1 PLACE --- # ---		TITLE: 4 CKT. POWER CONNECTOR	
DRAFT WHEN APPLICABLE MUST REMAIN WITHIN DIMENSIONS		MOLEX INCORPORATED SHEET NO. DATE LEVEL: 1 OF 2 06/30/89	
DATE: 06/30/89 BY: BIXLER		PART NO. SDA-70156-****	
FILE NAME: S1015601.DWG		THIS DRAWING CONTAINS INFORMATION THAT IS PROPRIETARY TO MOLEX INC. AND SHOULD NOT BE USED WITHOUT WRITTEN PERMISSION. CD	

