

## Excellent Integrated System Limited

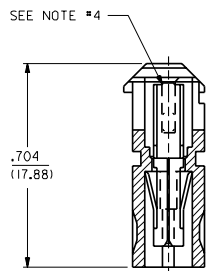
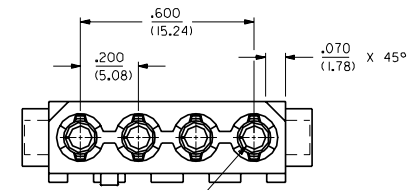
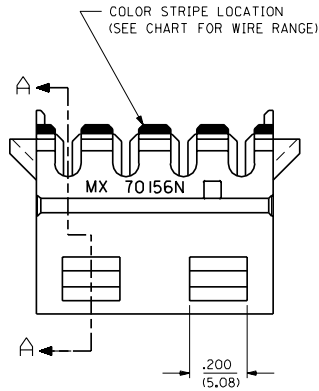
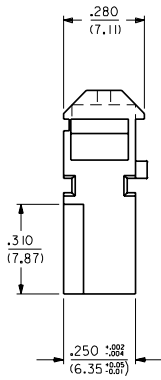
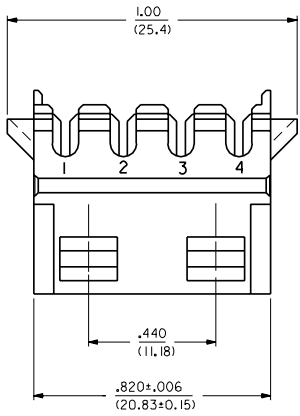
Stocking Distributor

Click to view price, real time Inventory, Delivery & Lifecycle Information:

[Molex Connector Corporation](#)  
[15-24-3053](#)

For any questions, you can email us directly:

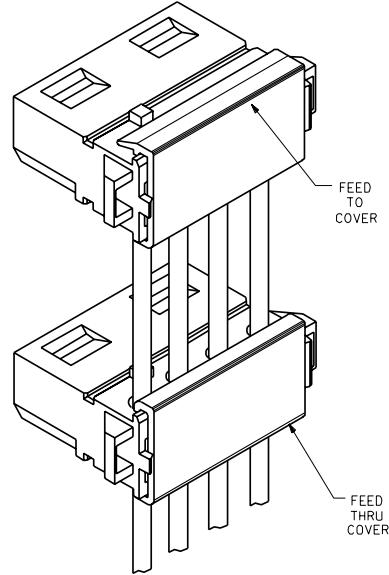
[sales@integrated-circuit.com](mailto:sales@integrated-circuit.com)



.0805±.0010 DIA.  
(2.045±0.025)  
(TERMINAL BARREL)

**NOTES:**

1. ALL WIRES TO HAVE A MAX. DIAMETER OVER INSULATION OF .095/(2.41).
2. COVERS ARE SUGGESTED TO RETAIN WIRES. FEED TO DRAWING NO. SD-70156-4000, FEED THRU DRAWING NO. SD-70156-3000. SEE SHEET 2 FOR AVAILABLE KITS.
3. MATERIAL: HOUSING-NYLON, TYPE 6/6, 94V-2, COLOR: NATURAL  
HOUSING-POLYESTER, 94V-0  
COLOR: WHITE  
TERMINAL-PHOSPHOR BRONZE
4. .008/(0.20) MAX. VERTICAL PROJECTION DUE TO CARRIER CUT-OFF.
5. PS-70156-\*\*\*\* APPLIES.
6. SDES-70156 APPLIES.
7. PK-70873-0250 APPLIES.



E	TRANSFER TO INDIA ECN UDT 8999-0909 SCHAFER 99/04/20
D2	ADDED PART NO. PER ECN U6-0835 02/08/96 DRS
D1	ADDED PART NO. PER ECN U8-0448 09/01/94 DRS
D	MODIFIED PER ECN U2-1589 10-28-92 DRS
C1	ADDED NOTE #7 PER ECN U2-1007 07-06-92 DRS
C	MOD. WIRE SELECTION PER ECN U2-0873 06-08-92 DRS
B	MOD. WIRE SELECTION PER ECN U2-0718 05-07-92 DRS
A	X-RELEASE PER ECN U2-0581 04-15-92 DRS

DIMENSIONS SHOWN METRIC INCH		MFG. SH. REV. LTR. REVISIONS													
UNLESS OTHERWISE SPECIFIED TOLERANCES SHALL BE ± 1/100"		REVISE ONLY ON CAD SYSTEM													
<table border="1"> <tr><th>3 PLACE</th><th>±</th><th>---</th><th>---</th></tr> <tr><th>2 PLACE</th><th>±</th><th>---</th><th>---</th></tr> <tr><th>1 PLACE</th><th>---</th><th>---</th><th>---</th></tr> </table>		3 PLACE	±	---	---	2 PLACE	±	---	---	1 PLACE	---	---	---	TITLE: SALES ASSEMBLY 4 CKT. POWER CONNECTOR	
3 PLACE	±	---	---												
2 PLACE	±	---	---												
1 PLACE	---	---	---												
DRAFT WHEN APPLICABLE MUST REMAIN WITHIN DIMENSIONS		MOLEX INCORPORATED SHEET NO. DATE LEVEL 1 OF 2 06/30/89													
DATE: 06/30/89 BY: SCHMIDT/CALLER APP'D: BIXLER SCALE: 4 : 1		PART NO. SEE CHART DRG. NO. SDA-70156-****													
FILE NAME: S1015601.DWG		THIS DRAWING CONTAINS INFORMATION THAT IS PROPRIETARY TO MOLEX INC. AND SHOULD NOT BE USED WITHOUT WRITTEN PERMISSION. CD													

