

Excellent Integrated System Limited

Stocking Distributor

Click to view price, real time Inventory, Delivery & Lifecycle Information:

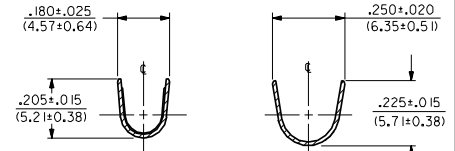
[Molex Connector Corporation](#)

[18-12-1604](#)

For any questions, you can email us directly:

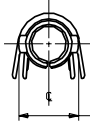
sales@integrated-circuit.com

CHARACTERISTICS			
PART NO.	ENG. NO.	MATERIAL	FORM
018-12-1604	42547-0001	A	2 L
018-12-1603	42547-0002	A	2 C

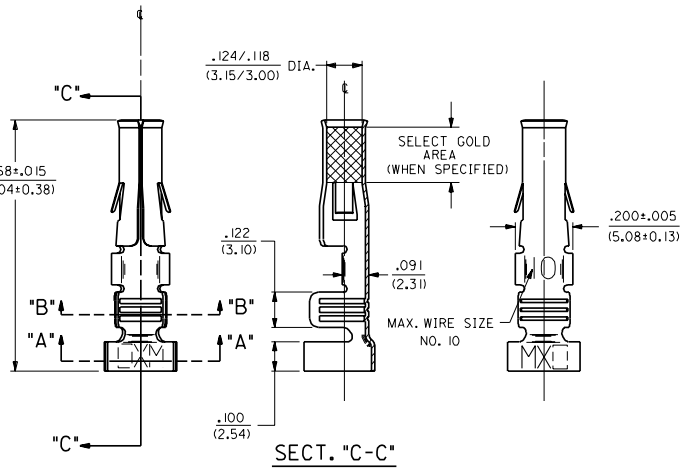


SECT. "B-B"

SECT. "A-A"



.200/.230
(5.08/5.84)



SECT. "C-C"

CHARACTERISTICS LEGEND

MATERIAL:
A) PHOS. BRONZE, ALLOY "C51000", .013/(0.33) THICK, EXTRA HARD

FINISH:
(*P* PRECEDING FINISH NO. DESIGNATES PREPLATED MATERIAL)
1) UNFINISHED
2) P122 ELECTRO TIN PLATE .000150/(0.0038) MIN. OVER .000030/(0.00076) MIN. NICKEL.

FORM:
L) LOOSE
C) CHAIN

- NOTES:
1. TERMINAL FOR USE WITH .125/(3.17) SERIES HOUSINGS AND WILL ACCEPT 10 THRU 14 AWG WIRE HAVING A .180/(4.57) MAX. DIAMETER INSULATION.
 2. INSERTION FORCE: 6.0 LBS. MAX. WHEN TERMINAL IS INSERTED INTO .125/(3.17) DIA. CORE HOLE.
 3. PULL OUT FORCE: 30 LBS. MIN. RETENTION IN HOUSING .

B	ADD SELECT AREA EER #UD 0230 3-5-90
A	FINAL RELEASE ERO 29046 89/07/18 COMSTOCK
B	REVISIONS
MFG. SH.	REV. LTR.

DIMENSIONS SHOWN METRIC INCH UNLESS OTHERWISE SPECIFIED (0 TOLERANCES INDICATED IN PARENS)		REVISE ONLY ON CAD SYSTEM	
3 PLACE ± .010	---	TITLE	
2 PLACE ± .014	± 0.25	CRIMP TERMINAL, FEMALE, .125/(3.17) DIA 10-14 AWG .180/(4.57) DIA. INSUL.	
1 PLACE ---	± 0.35	MOLEX INCORPORATED	
DRAFT WHEN APPLICABLE MUST REMAIN WITHIN DIMENSIONS		DATE 10/18/89	
DRG. BY: GMC	CHKD. BY: RW	FILE NAME: 542547X1	DRG. NO. SD-42547-*
APP'D. BY: GWF	SCALE: 4 : 1	LEVEL: 1	SIZE: CP