

Excellent Integrated System Limited

Stocking Distributor

Click to view price, real time Inventory, Delivery & Lifecycle Information:

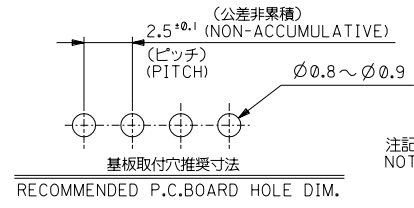
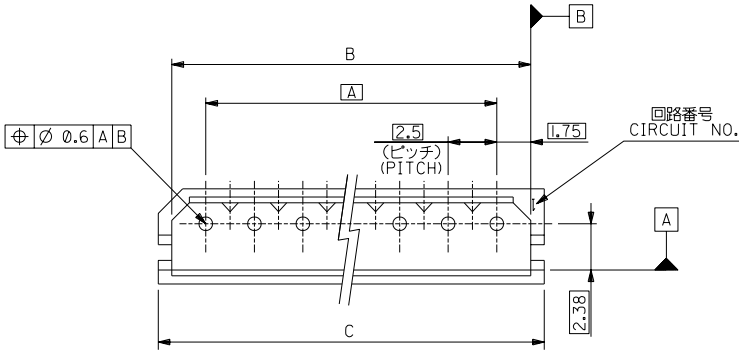
[Molex Connector Corporation](#)

[22-03-5145](#)

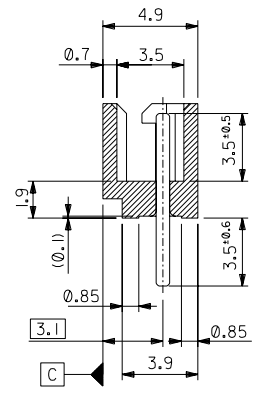
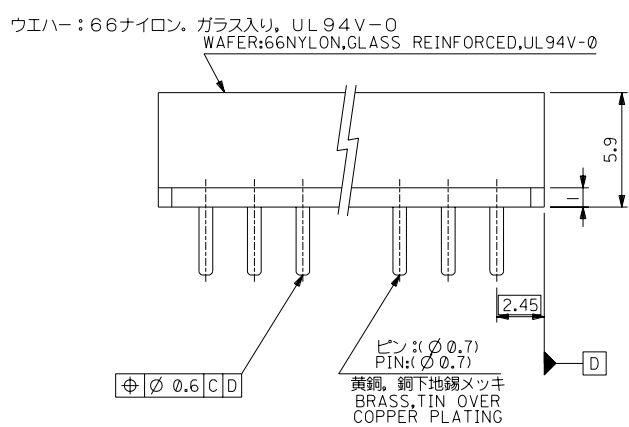
For any questions, you can email us directly:

sales@integrated-circuit.com

DWG. NO. SD-5267-NA
E
D
C
B
A
DIMENSIONS IN METRIC DO NOT SCALE DRAWING



注記 NOTES:
I. 嵌合相手: 5264 シリーズ
MATES WITH: 5264 SERIES.



39.9	38.5	35	22-03-5155	5267-15A	15
37.4	36	32.5	-5145	-14A	14
34.9	33.5	30	-5135	-13A	13
32.4	31	27.5	-5125	-12A	12
29.9	28.5	25	-5115	-11A	11
27.4	26	22.5	-5105	-10A	10
24.9	23.5	20	-5095	-09A	9
22.4	21	17.5	-5085	-08A	8
19.9	18.5	15	-5075	-07A	7
17.4	16	12.5	-5065	-06A	6
14.9	13.5	10	-5055	-05A	5
12.4	11	7.5	-5045	-04A	4
9.9	8.5	5	-5035	-03A	3
7.4	6	2.5	22-03-5025	5267-02A	2
C	B	A	EDP NO.	ENG.NO.	極数 NO OF CKT.

材料 MATERIAL	MOLEX-JAPAN CO.,LTD. 日本モレックス株式会社
仕上げ FINISH	REVISION RECORD
適用電線範囲 WIRE RANGE	適用電線範囲 INS. RANGE
被覆外径	被覆外径
DRAWN BY 6/20/88 Y.MIZUNO	CHK'D BY '86/03/26 Y.MIZUNO
APP'D BY '86/03/26 M.FUKUSHIMA	尺度 SCALE 5:1
DWG. NO. SD-5267-NA	REV B

THIS DRAWING CONTAINS INFORMATION THAT IS PROPRIETARY TO MOLEX(JAPAN) AND SHOULD NOT BE USED WITHOUT WRITTEN PERMISSION
本図面は日本モレックス(株)の所有する情報を含むもので当社の許可なく複製を禁止する。
EN-01C(032)MXJ-32

8 7 6 5 4 3 2 1