

Excellent Integrated System Limited

Stocking Distributor

Click to view price, real time Inventory, Delivery & Lifecycle Information:

[Molex Connector Corporation](#)

[22-05-7155](#)

For any questions, you can email us directly:

sales@integrated-circuit.com

10 9 8 7 6 5 4 3 2 1

ENG. NO. SD-5268-NA

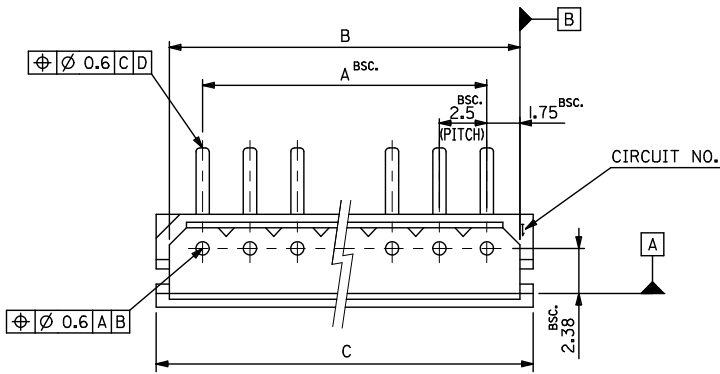
EDP. NO. 22-05-7155

D

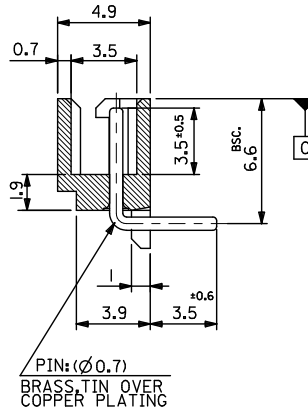
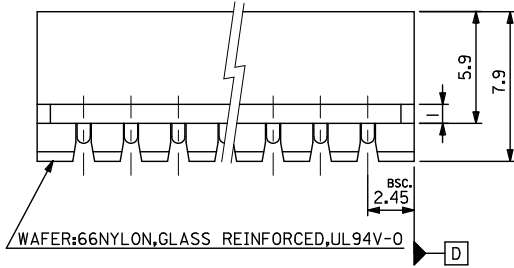
C

B

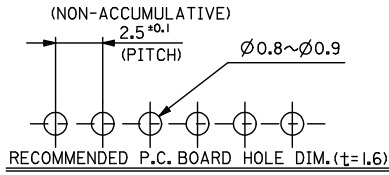
A



NOTE:
MATES WITH : 5264 SERIES.



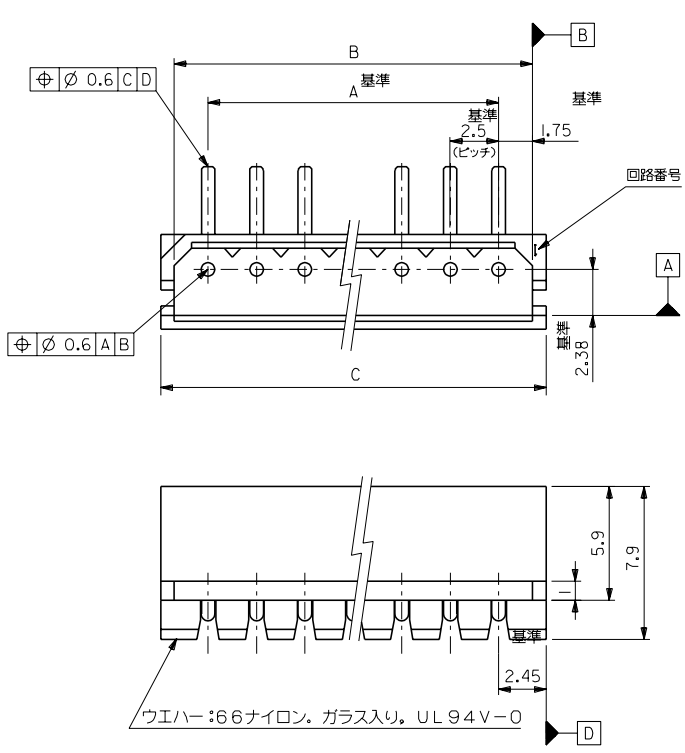
49.9	48.5	45	22-05-7195	5268-19A	19
47.4	46	42.5	-7185	-18A	18
44.9	43.5	40	-7175	-17A	17
42.4	41	37.5	-7165	-16A	16
39.9	38.5	35	-7155	-15A	15
37.4	36	32.5	-7145	-14A	14
34.9	33.5	30	-7135	-13A	13
32.4	31	27.5	-7125	-12A	12
29.9	28.5	25	-7115	-11A	11
27.4	26	22.5	-7105	-10A	10
24.9	23.5	20	-7095	-09A	9
22.4	21	17.5	-7085	-08A	8
19.9	18.5	15	-7075	-07A	7
17.4	16	12.5	-7065	-06A	6
14.9	13.5	10	-7055	-05A	5
12.4	11	7.5	-7045	-04A	4
9.9	8.5	5	-7035	-03A	3
7.4	6	2.5	22-05-7025	5268-02A	2
C	B	A	EDP NO.	ENG.NO.	CKT.



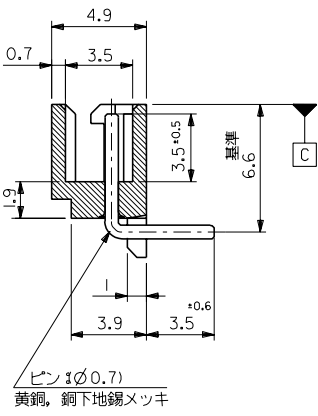
PART NUMBER VOIDED EC NO. J2016-1314 DRAWINGS CHKD: 2016/06/29 APPR: Y010 2016/07/08 REV: D	GENERAL TOLERANCES (UNLESS SPECIFIED)		DIMENSION STYLE MM ONLY		SCALE 5:1	DESIGN UNITS METRIC	THIRD ANGLE PROJECTION
	0.25 UNDER	±0.03	DRAWN BY	DATE	TITLE 2.5 LOW PROFILE WAFER ASSY 90° BEND molex DOCUMENT NO. SD-5268-NA SHEET NO. 1 OF 1		
	0.25 OVER	0.5 UNDER	K.TOJO	1991/11/05			
	0.5 OVER	1.0 UNDER	H.HIRAMOTO	1992/08/31			
1.0 OVER	10 UNDER	M.ENAMOTO	1992/08/31				
10 OVER	30 UNDER	±0.25	MATERIAL NO.				
30 OVER	±0.2	SEE CHART					
ANGULAR	±3 °	DRAFT WHERE APPLICABLE MUST REMAIN WITHIN DIMENSIONS		THIS DRAWING CONTAINS INFORMATION THAT IS PROPRIETARY TO MOLEX ELECTRONIC TECHNOLOGIES, LLC AND SHOULD NOT BE USED WITHOUT WRITTEN PERMISSION			

9 8 7 6 5 4 3 2 1

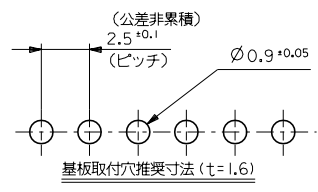
EDP NO. 22-05-7**5
ENG. NO. SD-5268-NA
DIMENSIONS IN METRIC DO NOT SCALE DRAWING



NOTE:
I. 嵌合相手: 5264 シリーズ



39.9	38.5	35	22-05-7155	5268-15A	15
37.4	36	32.5	-7145	-14A	14
34.9	33.5	30	-7135	-13A	13
32.4	31	27.5	-7125	-12A	12
29.9	28.5	25	-7115	-11A	11
27.4	26	22.5	-7105	-10A	10
24.9	23.5	20	-7095	-09A	9
22.4	21	17.5	-7085	-08A	8
19.9	18.5	15	-7075	-07A	7
17.4	16	12.5	-7065	-06A	6
14.9	13.5	10	-7055	-05A	5
12.4	11	7.5	-7045	-04A	4
9.9	8.5	5	-7035	-03A	3
7.4	6	2.5	22-05-7025	5268-02A	2
C	B	A	EDP NO.	ENG. NO.	極数



角度 ANGLE	+3°				
30 以上 OVER	+0.3				
10 以上 30 未満 UNDER	+0.25	C	再作図及び変更	(J10590) K-1	9/17/26
10 未満 UNDER	+0.2	記号	変更内容	DR. CHK. DATE	
一般公差 GENERAL TOLERANCES		REVISE ONLY ON CAD SYSTEM			

材料 MATERIAL		MOLEX-JAPAN CO.,LTD. 日本モレックス株式会社
仕上げ FINISH		EDP NO. 22-05-7**5
適用電線範囲 WIRE RANGE		ENG. NO. SD-5268-NA
被覆外径 INS. RANGE		REV C
DRAWN BY K.TOUJO '91/7/26	CHK'D BY '92/08/31	TITLE 名称
APP'D BY '92/08/31	尺度 SCALE 5-1	2.5 LOW PROFILE WAFER ASS'Y 90° BEND

THIS DRAWING CONTAINS INFORMATION THAT IS PROPRIETARY TO MOLEX(JAPAN) AND SHOULD NOT BE USED WITHOUT WRITTEN PERMISSION
本図面は日本モレックス(株)の所有する情報を含むもので 当社の許可なく複製を禁止する。 MXJ-8