

Excellent Integrated System Limited

Stocking Distributor

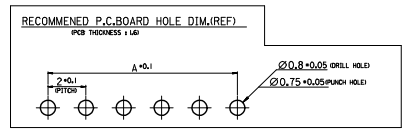
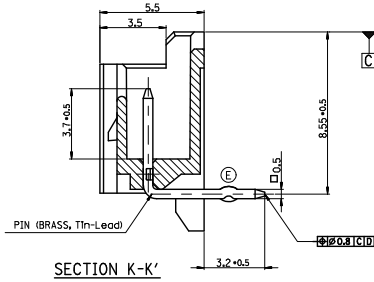
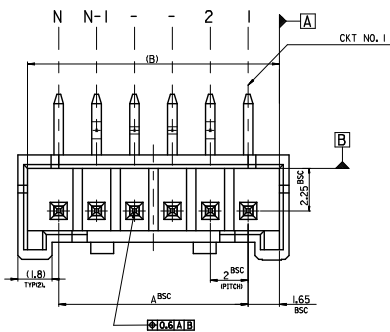
Click to view price, real time Inventory, Delivery & Lifecycle Information:

[Molex Connector Corporation](#)
[35363-0610](#)

For any questions, you can email us directly:

sales@integrated-circuit.com

10 9 8 7 6 5 4 3 2 1



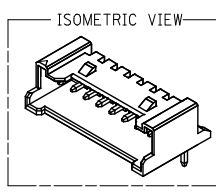
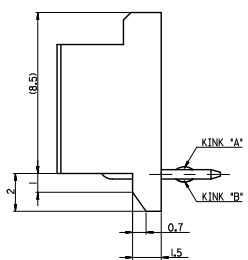
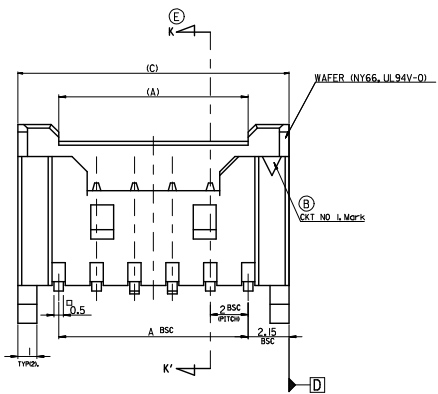
LEGEND

SD-35363-**-**

CTK NO. _____

COLOR

- 0 : NATURAL
- 1 : BLACK
- 2 : RED
- 3 : YELLOW
- 4 : BLUE
- 5 : GREEN



32.3	31.3	28	-15*	15
30.3	29.3	26	-14*	14
28.3	27.3	24	-13*	13
26.3	25.3	22	-12*	12
24.3	23.3	20	-11*	11
22.3	21.3	18	-10*	10
20.3	19.3	16	-09*	9
18.3	17.3	14	-08*	8
16.3	15.3	12	-07*	7
14.3	13.3	10	-06*	6
12.3	12.3	8	-05*	5
10.3	9.3	6	35363-04*	4
(C)	(B)	A	ENG. NO.	CKT

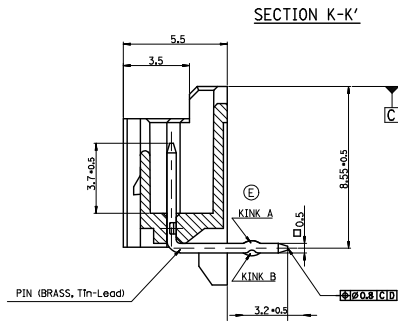
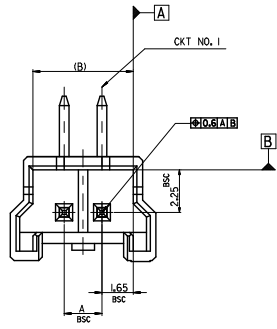
- NOTES
1. MATERIAL : UNFILLED POLYAMIDE, UL94V-0
 2. MATING HOUSING : 35007-**-0*
 3. MATING TERMINAL : 50212-8000
 4. CHAMFER : 0.3 MAX.
 4. KINK

CKT NO	1	2	3	4	5	N-2	N-1	N
6 CKT OVER	-	A	B	-	-	B	A	-
5 CKT	A	B	-	B	A	-	-	-
4 CKT	A	B	B	A	-	-	-	-

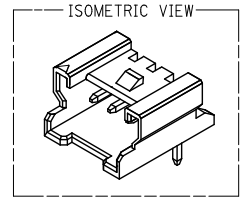
5. PRODUCT SPECIFICATION NO : PS-35507-001

REVISED EC NO: KOR2008-0018 DRAWN: HBE 2009/01/14 CHKD: YSOKIM 2009/01/14 APPR: TUNSKIM 2009/01/15 REV G1	QUALITY SYMBOLS ▼=0 ▽=0	GENERAL TOLERANCES (UNLESS SPECIFIED) 4 PLACES ± --- ± --- 3 PLACES ± --- ± --- 2 PLACES ± --- ± --- 1 PLACE ± 0.15 ± --- ANGULAR ± 1°	DIMENSION STYLE MM ONLY DRAWN BY YSOKIM DATE 1996/09/11 CHECKED BY JKOH DATE 1996/09/11 APPROVED BY CWLEE DATE 1996/09/11	SCALE 5:1 DESIGN UNITS METRIC THIRD ANGLE PROJECTION	TITLE 2.0 W/B CONN WAFER ASSY (R/A)	MOLEX INCORPORATED DOCUMENT NO. SD-35363-001 SHEET NO. 1 OF 3
	DRAFT WHERE APPLICABLE MUST REMAIN WITHIN DIMENSIONS			MATERIAL NO. ENTER PART	THIS DRAWING CONTAINS INFORMATION THAT IS PROPRIETARY TO MOLEX INCORPORATED AND SHOULD NOT BE USED WITHOUT WRITTEN PERMISSION	
	Molex logo					
	Molex logo					

9 8 7 6 5 4 3 2 1



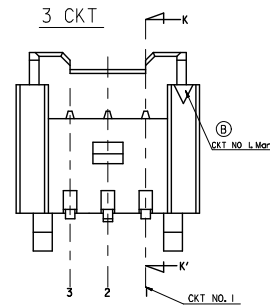
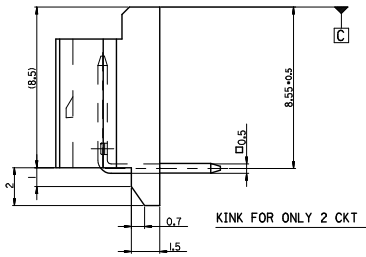
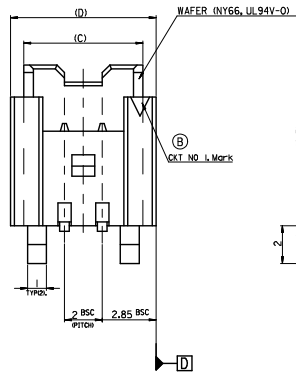
FOR 2 & 3 CKTS.



LEGEND

SD-35363-***I * COLOR

0	NATURAL
1	BLACK
2	RED
3	YELLOW
4	BLUE
5	GREEN

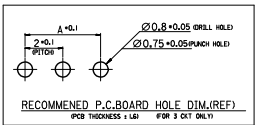


- NOTES
- 1. MATERIAL : UNFILLED POLYAMIDE, UL94V-0
 - 2. MATING HOUSING : 35007-***0*
 - MATING TERMINAL : 50212-8000
 - 3. CHAMBER : 0.3 MAX.
 - 4. KINK

CKT NO.	1	2	3
2 CKT	NONE	KINK	
3 CKT	A	B	A

5. PRODUCT SPECIFICATION NO : PS-35507-001

9.7	8.3	7.3	4	-031*	3
7.7	6.3	5.3	2	35363-021*	2
(D)	(C)	(B)	A	ENG. NO.	CKT



30 over	+0.3
10 over 30 under	±0.25
10 under	±0.2
ANGLE	±3°
GENERAL TOLERANCE	

QUALITY SYMBOLS

▽=0

▽=0

REVISIONS

REV	DESCRIPTION
1	REVISED
2	EC NO: KOR2008-0018
3	DRWN: JHBAE 2009/01/14
4	CHKD: YSOKIM 2009/01/14
5	APPR: YUNSIKKIM 2009/01/15

GENERAL TOLERANCES (UNLESS SPECIFIED)

	mm	INCH
4 PLACES	±---	±---
3 PLACES	±---	±---
2 PLACES	±---	±---
1 PLACE	± 0.15	±---
ANGULAR ± 1 °		

DRAFT WHERE APPLICABLE MUST REMAIN WITHIN DIMENSIONS

DIMENSION STYLE MM ONLY

SCALE 5:1

DESIGN UNITS METRIC

THIRD ANGLE PROJECTION

DRAWN BY YSOKIM DATE 1996/09/11

CHECKED BY JKOH DATE 1996/09/11

APPROVED BY CWLEE DATE 1996/09/11

MATERIAL NO. ENTER PART

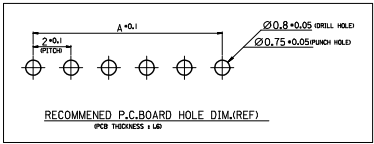
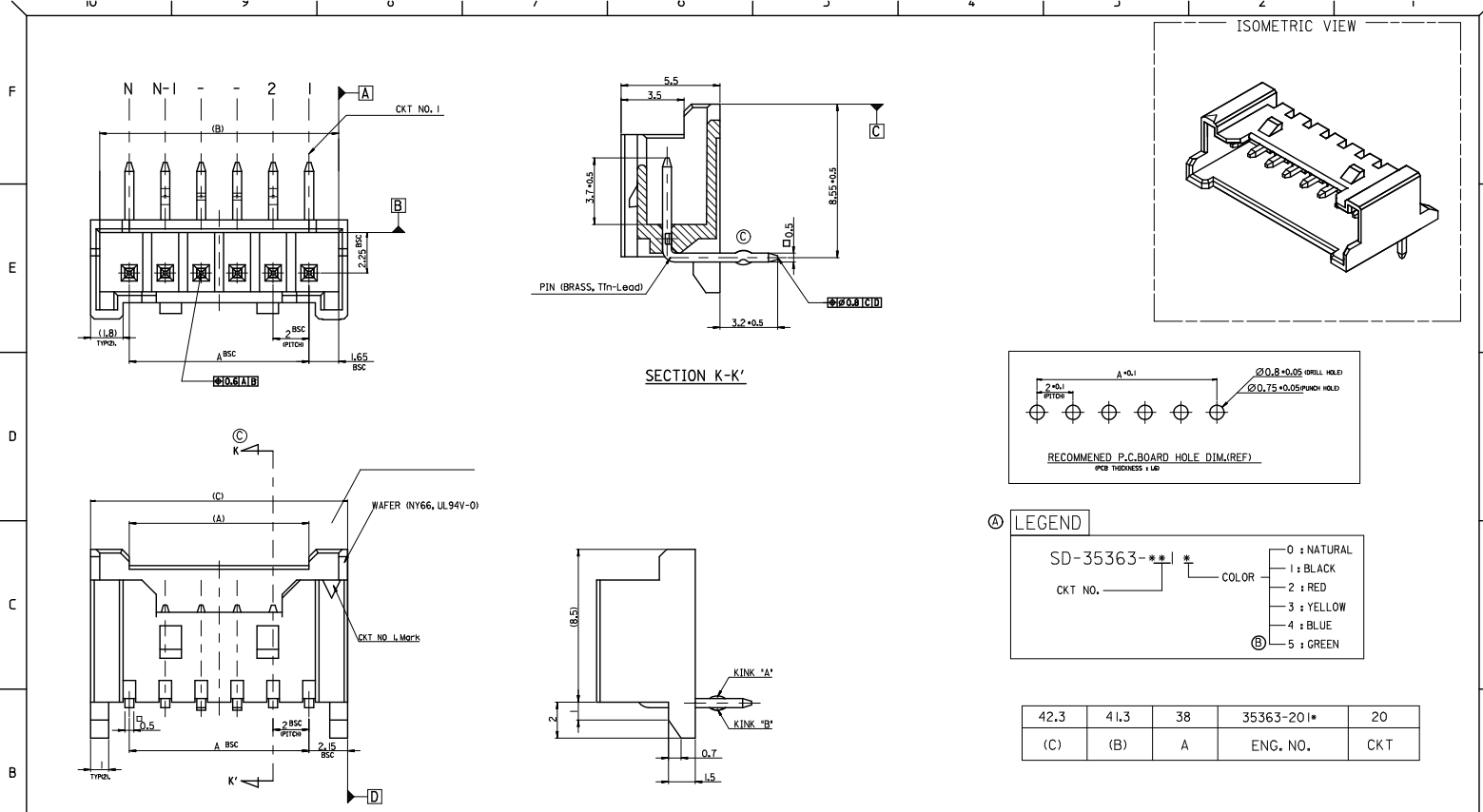
DOCUMENT NO. SD-35363-001

SHEET NO. 2 OF 3

TITLE 2.0 W/B CONN WAFER ASSY (R/A)

MOLEX MOLEX INCORPORATED

THIS DRAWING CONTAINS INFORMATION THAT IS PROPRIETARY TO MOLEX INCORPORATED AND SHOULD NOT BE USED WITHOUT WRITTEN PERMISSION



LEGEND

SD-35363-*** * COLOR

- 0 : NATURAL
- 1 : BLACK
- 2 : RED
- 3 : YELLOW
- 4 : BLUE
- 5 : GREEN

42.3	41.3	38	35363-20*	20
(C)	(B)	A	ENG. NO.	CKT

NOTES

- MATERIAL : UNFILLED POLYAMIDE, UL94V-0
- MATING HOUSING : 35007-***0*
- MATING TERMINAL : 50212-8000
- KINK

CKT NO	1	2	3	4	N-3	N-2	N-1	N
20	-	A	B	-	-	B	A	-

4. PRODUCT SPECIFICATION NO : PS-35507-001

30 over	+0.3
10 over 30 under	±0.25
10 under	±0.2
ANGLE	±3°

GENERAL TOLERANCE

REVISED	EC NO: KOR2008-0018	2009/01/14
DRWN: JHBAE	2009/01/14	
CHKD: YSOOKIM	2009/01/14	
APPR: YUNSIKKIM	2009/01/15	
DESCRIPTION		
QUALITY SYMBOLS		
▽=0		
▽=0		
REV		

GENERAL TOLERANCES (UNLESS SPECIFIED)	
mm	INCH
4 PLACES	± --- ± ---
3 PLACES	± --- ± ---
2 PLACES	± --- ± ---
1 PLACE	± 0.15 ± ---
ANGULAR ± 1 °	

DRAFT WHERE APPLICABLE MUST REMAIN WITHIN DIMENSIONS

DIMENSION STYLE	
MM ONLY	
DRAWN BY	DATE
YSOOKIM	1996/09/11
CHECKED BY	DATE
JKOH	1996/09/11
APPROVED BY	DATE
CWLEE	1996/09/11
MATERIAL NO.	DOCUMENT NO.

SCALE	5:1	DESIGN UNITS	METRIC	THIRD ANGLE PROJECTION
TITLE				
2.0 W/B CONN WAFER ASSY (R/A)				
Molex MOLEX INCORPORATED				
ENTER PART				SD-35363-001
SHEET NO.				3 OF 3
THIS DRAWING CONTAINS INFORMATION THAT IS PROPRIETARY TO MOLEX INCORPORATED AND SHOULD NOT BE USED WITHOUT WRITTEN PERMISSION				