

## Excellent Integrated System Limited

Stocking Distributor

Click to view price, real time Inventory, Delivery & Lifecycle Information:

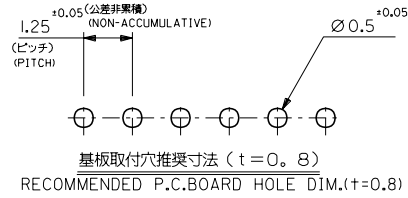
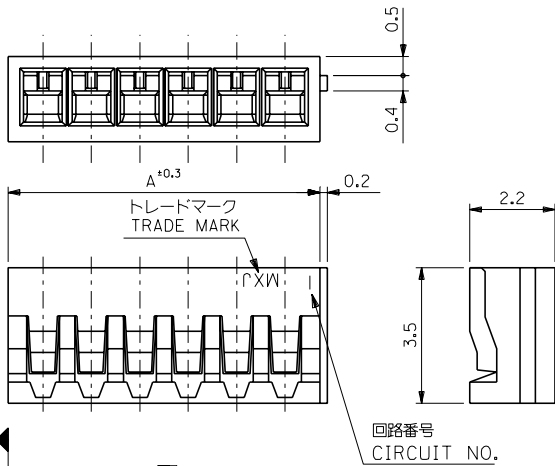
[Molex Connector Corporation](#)  
[51022-1000](#)

For any questions, you can email us directly:

[sales@integrated-circuit.com](mailto:sales@integrated-circuit.com)

DWG. NO. SD-51022-\*\*\*00

DIMENSIONS IN METRIC DO NOT SCALE DRAWING

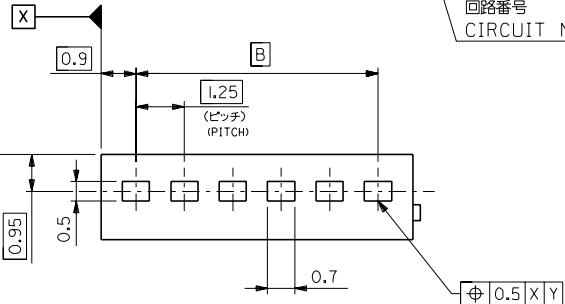


適合ターミナル  
APPLICABLE TERMINAL

注記  
NOTE

- △ 適合ターミナル : 50061-8\*00
- 50080-8\*00
- △ APPLICABLE TERMINAL : 50061-8\*00
- 50080-8\*00

17.5	19.3	51022-1500	15
16.25	18.05	-1400	14
15	16.8	-1300	13
13.75	15.55	-1200	12
12.5	14.3	-1100	11
11.25	13.05	-1000	10
10	11.8	-0900	9
8.75	10.55	-0800	8
7.5	9.3	-0700	7
6.25	8.05	-0600	6
5	6.8	-0500	5
3.75	5.55	-0400	4
2.5	4.3	-0300	3
1.25	3.05	51022-0200	2
B	A	ENG. NO.	種別 CKT. NO.



角度 ANGLE	±3°					材料 MATERIAL ポリエステル、UL94V-0 POLYESTER, UL94V-0
30以上 OVER	+0.3					仕上げ FINISH
10以上 30未満 OVER 30 UNDER	+0.25					適用電線範囲 WIRE RANGE
10未満 UNDER	+0.2					被覆外径 INS. RANGE
一般公差 GENERAL TOLERANCES		C 再作図 RE-DRWN	LC70319	FJ S.K	%/05/29	DRAWN BY %/05/29 H.IIJIMA
		記号 LTR	変更内容 REVISION RECORD	DR	DATE	CHK'D BY %/05/29 M.FUKUSHIMA
				目付 CHK	DATE	尺度 SCALE 10:1

MOLEX-JAPAN CO., LTD.  
日本モレックス株式会社

REVISE ONLY ON CAD SYSTEM

TITLE 名称  
1.25 BOARD IN  
CONN. HOUSING

DWG. NO.  
SD-51022-\*\*\*00

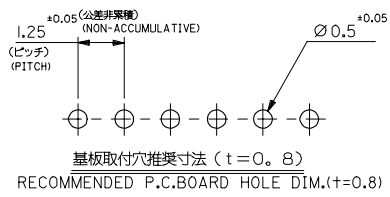
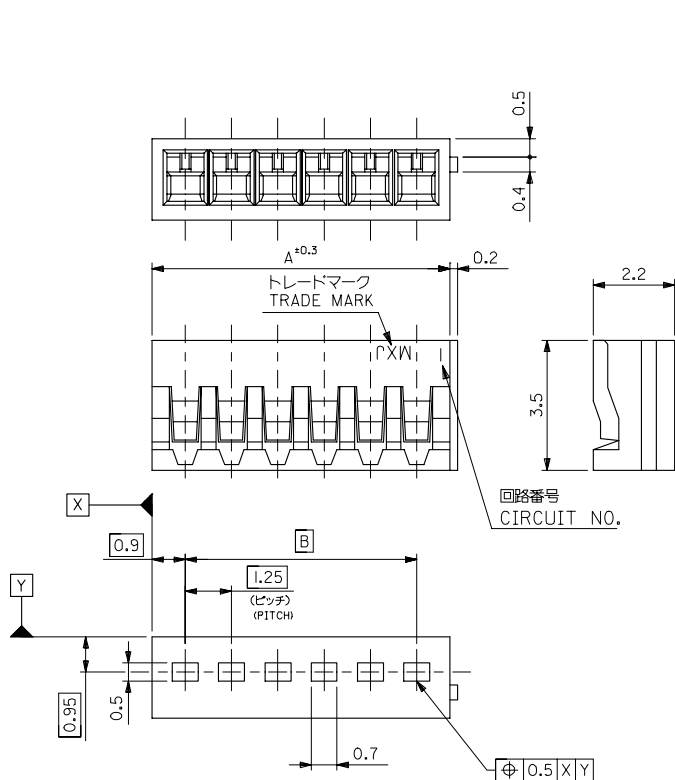
REV  
C

THIS DRAWING CONTAINS INFORMATION THAT IS PROPRIETARY TO MOLEX (JAPAN) AND SHOULD NOT BE USED WITHOUT WRITTEN PERMISSION  
本図面は日本モレックス（株）の所有する情報を含むもので 当社の許可なく複製を禁止する。  
EN-01C(1032)MXJ-32

10 9 8 7 6 5 4 3 2 1

F  
E  
D  
C  
B  
A

F  
E  
D  
C  
B  
A



適合ターミナル  
APPLICABLE TERMINAL

注記  
NOTE

- △ 適合ターミナル : 50061-8\*00  
50080-8\*00
- △ APPLICABLE TERMINAL : 50061-8\*00  
50080-8\*00

17.5	19.3	51022-1500	15
16.25	18.05	-1400	14
15	16.8	-1300	13
13.75	15.55	-1200	12
12.5	14.3	-1100	11
11.25	13.05	-1000	10
10	11.8	-0900	9
8.75	10.55	-0800	8
7.5	9.3	-0700	7
6.25	8.05	-0600	6
5	6.8	-0500	5
3.75	5.55	-0400	4
2.5	4.3	-0300	3
1.25	3.05	51022-0200	2
B	A	ENG. NO.	CKT. NO.

材料 MATERIAL	ポリエステル, UL94V-0 POLYESTER, UL94V-0
仕上げ FINISH	—
適用電線範囲 WIRE RANGE	—
被覆外径 INS. RANGE	—

REVISED	2006/04/05
EC NO.	J2006-2443
DRAWN BY	YAGI
CHKD BY	TANAKA
APP. BY	IKITA
DATE	2006/04/12

GENERAL TOLERANCES (UNLESS SPECIFIED)	
10 UNDER	±0.2
10 OVER 30 UNDER	±0.25
30 OVER	±0.3
ANGULAR	±3°
DRAFT WHERE APPLICABLE MUST REMAIN WITHIN DIMENSIONS	

DIMENSION STYLE	
MM ONLY	
DRAWN BY	DATE
H. IJIMA	1996/05/29
CHECKED BY	DATE
M. FUKUSHIMA	1996/05/29
APPROVED BY	DATE
M. ENOMOTO	1996/05/29
MATERIAL NO.	SEE CHART

SCALE	DESIGN UNITS	THIRD ANGLE PROJECTION
10:1	METRIC	☑
TITLE		
1.25 BOARD IN CONN HSG		
MOLEX INCORPORATED		
DOCUMENT NO.	SHEET NO.	
SD-51022-001	1 OF 1	