

Excellent Integrated System Limited

Stocking Distributor

Click to view price, real time Inventory, Delivery & Lifecycle Information:

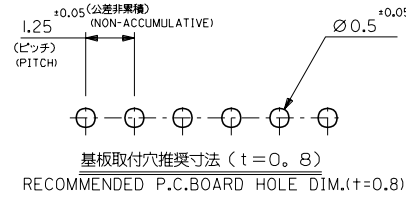
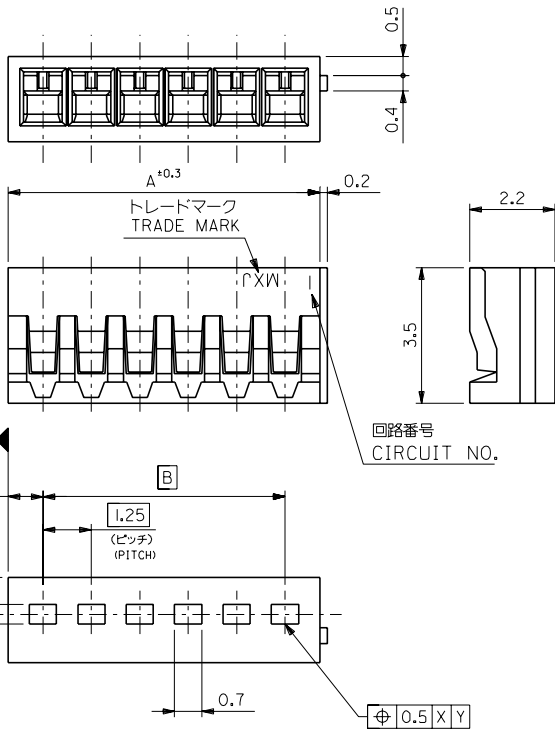
[Molex Connector Corporation](#)
[51022-1200](#)

For any questions, you can email us directly:

sales@integrated-circuit.com

DWG. NO. SD-5 1022-**-00

DIMENSIONS IN METRIC DO NOT SCALE DRAWING



適合ターミナル
APPLICABLE TERMINAL

注記
NOTE

△ 適合ターミナル : 50061-8*00
50080-8*00
△ APPLICABLE TERMINAL : 50061-8*00
50080-8*00

17.5	19.3	51022-1500	15
16.25	18.05	-1400	14
15	16.8	-1300	13
13.75	15.55	-1200	12
12.5	14.3	-1100	11
11.25	13.05	-1000	10
10	11.8	-0900	9
8.75	10.55	-0800	8
7.5	9.3	-0700	7
6.25	8.05	-0600	6
5	6.8	-0500	5
3.75	5.55	-0400	4
2.5	4.3	-0300	3
1.25	3.05	51022-0200	2
B	A	ENG. NO.	継号 CKT.NO.

角度 ANGLE	±3°	材料 MATERIAL	ポリエステル、UL94V-0 POLYESTER,UL94V-0
30以上 OVER	±0.3	仕上げ FINISH	—
10以上 30未満 UNDER	±0.25	適用電線範囲 WIRE RANGE	—
10未満 UNDER	±0.2	被覆外径 INS. RANGE	—
一般公差 GENERAL TOLERANCES	C	再作図 REDRAWN	(LC7031)
記号 LTR	変更内容 REVISION RECORD	DR. CHK. DATE	%/05/29 H.IIJIMA M.FUKUSHIMA
		APP'D BY	%/05/29 M.ENOMOTO

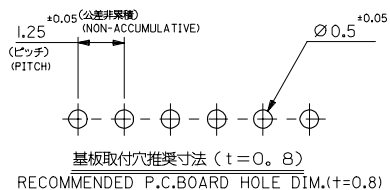
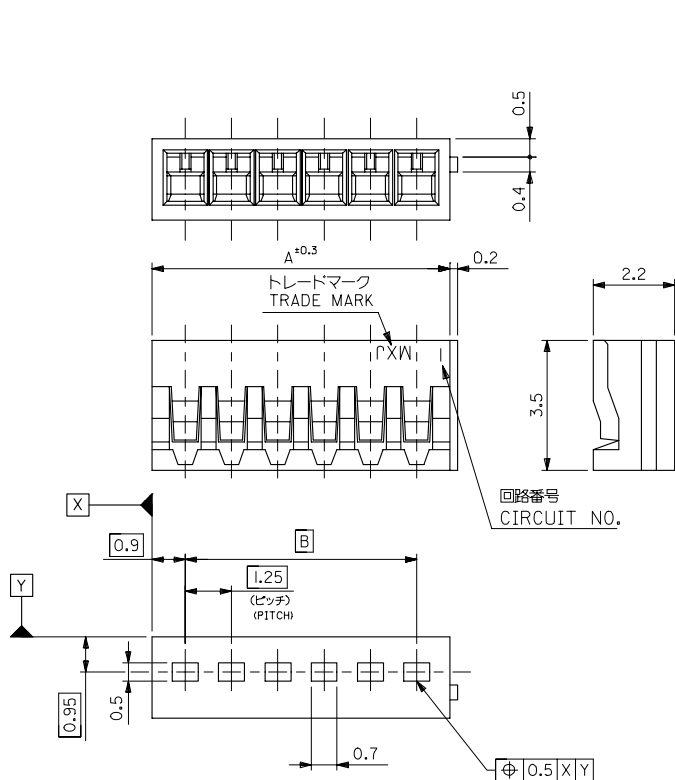
REV	C
SCALE	10:1
DWG. NO.	SD-5 1022-**-00
TITLE 名称	1.25 BOARD IN CONN. HOUSING
REVISION RECORD	

THIS DRAWING CONTAINS INFORMATION THAT IS PROPRIETARY TO MOLEX(JAPAN) AND SHOULD NOT BE USED WITHOUT WRITTEN PERMISSION
本図面は日本モレックス(株)の所有する情報を含むもので 当社の許可なく複製を禁止する。 EN-01C(1032)MXJ-32

10 9 8 7 6 5 4 3 2 1

F
E
D
C
B
A

F
E
D
C
B
A



適合ターミナル
APPLICABLE TERMINAL

注記
NOTE

- △ 適合ターミナル : 50061-8*00
50080-8*00
- △ APPLICABLE TERMINAL : 50061-8*00
50080-8*00

17.5	19.3	51022-1500	15
16.25	18.05	-1400	14
15	16.8	-1300	13
13.75	15.55	-1200	12
12.5	14.3	-1100	11
11.25	13.05	-1000	10
10	11.8	-0900	9
8.75	10.55	-0800	8
7.5	9.3	-0700	7
6.25	8.05	-0600	6
5	6.8	-0500	5
3.75	5.55	-0400	4
2.5	4.3	-0300	3
1.25	3.05	51022-0200	2
B	A	ENG. NO.	CKT. NO.

材料 MATERIAL	ポリエステル, UL94V-0 POLYESTER, UL94V-0
仕上げ FINISH	—
適用電線範囲 WIRE RANGE	—
被覆外径 INS. RANGE	—

REVISED	2006/04/05
EC NO.	J2006-2443
DRAWN BY	YAOYAGI
CHKD BY	TANAKA
APP. BY	IKITA
DATE	2006/04/12

GENERAL TOLERANCES (UNLESS SPECIFIED)	
10 UNDER	±0.2
10 OVER 30 UNDER	±0.25
30 OVER	±0.3
ANGULAR	±3°
DRAFT WHERE APPLICABLE MUST REMAIN WITHIN DIMENSIONS	

DIMENSION STYLE		SCALE	DESIGN UNITS
MM ONLY		10:1	METRIC
DRAWN BY	DATE	TITLE	
H. IJIMA	1996/05/29	1.25 BOARD IN CONN HSG	
CHECKED BY	DATE	M. FUKUSHIMA 1996/05/29	
APPROVED BY	DATE	M. ENOMOTO 1996/05/29	
MATERIAL NO.	DOCUMENT NO.	MOLEX INCORPORATED	
SEE CHART	SD-51022-001	SHEET NO. 1 OF 1	

THIRD ANGLE PROJECTION	
MOLEX INCORPORATED	
SHEET NO. 1 OF 1	