

Excellent Integrated System Limited

Stocking Distributor

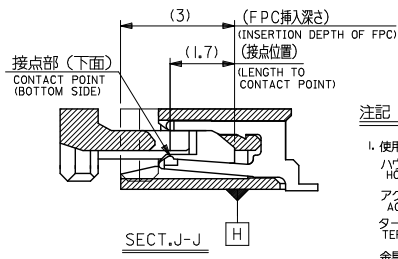
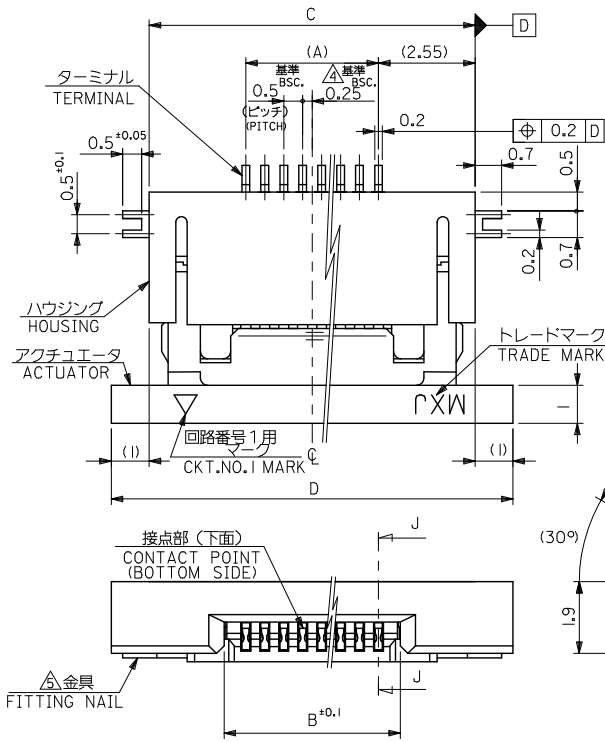
Click to view price, real time Inventory, Delivery & Lifecycle Information:

[Molex Connector Corporation](#)
[52437-2191](#)

For any questions, you can email us directly:

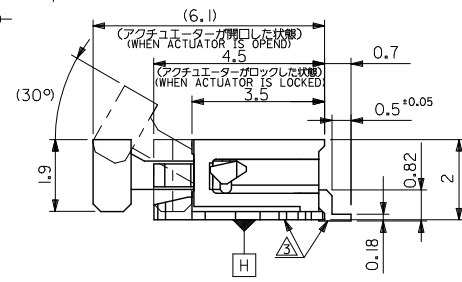
sales@integrated-circuit.com

10 9 8 7 6 5 4 3 2 1



注記 NOTES

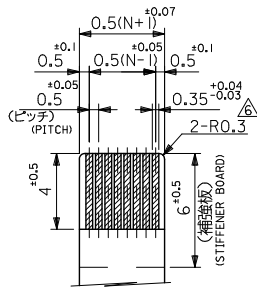
1. 使用材料: MATERIAL
 ハウジング : 46ナイロン, UL 94V-0
 HOUSING : 46NYLON
 アクチュエータ: PPS, UL 94V-0
 ACTUATOR
 ターミナル : リン青銅、錫メッキ (t=0.2)
 TERMINAL : PHOS-BRO.TIN-PLATED
 金具 : リン青銅、錫メッキ (t=0.2)
 FITTING NAIL : PHOS-BRO.TIN-PLATED
2. エンボステープ梱包時は、アクチュエータがロックした状態とする。
 IN THE PACKAGE, ACTUATOR OF PART NO.52437-2191 SHOULD BE LOCKED.
- △ソルダータール半田付け面のスレ量、及び金具半田付け面のスレ量は、基準面 H に対し上方向 0.1 MAX. , 下方向 0.15MAX.とする。
 MISALIGNMENT OF SOLDER TAILS AND FITTING NAILS FROM H UPPER DIRECTION: 0.1 MAX. , LOWER DIRECTION: 0.15MAX.
- △偶数極に適用。
 APPLY FOR EVEN CIRCUIT.
- △パターンはくり止め用金具。
 FITTING NAIL FOR PREVENTION OF PEELING OF P.C.B. PATTERN.
- △R.O. 3は、FPCの導体部にかからないこと。
 R.O.3 MUST NOT BE OVERLAPPED TO PATTERN OF FPC.
7. ソルダータールの平坦度は、0.1 MAXIMUMとする。
 SOLDER TAIL COPLANARITY IS 0.1 MAXIMUM.



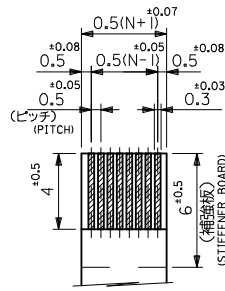
REVISED & REDRAWN EC NO. J2014-0108 DRAWN: KNAGUMO 2013/07/16 CHKD: TAKAHASHI 2013/07/16 APPR: YNOGAWA 2013/08/02	GENERAL TOLERANCES (UNLESS SPECIFIED)		DIMENSION STYLE MM ONLY		SCALE ---	DESIGN UNITS METRIC	THIRD ANGLE PROJECTION
	10 UNDER	± 0.2	DRAWN BY KNAGUMO	DATE 2013/07/16	TITLE 0.5 FPC CONN ZIF FOR SMT R/A(BOTTOM CONTACT) molex DOCUMENT NO. SD-52437-025 SHEET NO. 1 OF 2		
	10 OVER 30 UNDER	± 0.25	CHECKED BY TAKAHASHI	DATE 2013/07/16			
	30 OVER	± 0.3	APPROVED BY YNOGAWA	DATE 2013/08/02			
ANGULAR ± 3 °		MATERIAL NO.					
DRAFT WHERE APPLICABLE MUST REMAIN WITHIN DIMENSIONS		SEE CHART		THIS DRAWING CONTAINS INFORMATION THAT IS PROPRIETARY TO MOLEX INCORPORATED AND SHOULD NOT BE USED WITHOUT WRITTEN PERMISSION			

9 8 7 6 5 4 3 2

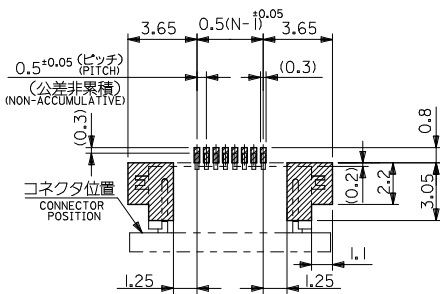
10 9 8 7 6 5 4 3 2 1



適合FPC推奨寸法
APPLICABLE FPC
RECOMMENDED DIMENSION
(仕上がり厚さ: 0.3^{+0.05})
(THICKNESS: 0.3^{+0.05})



適合FFC推奨寸法
APPLICABLE FFC
RECOMMENDED DIMENSION
(仕上がり厚さ: 0.3^{+0.05})
(THICKNESS: 0.3^{+0.05})



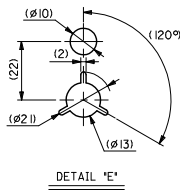
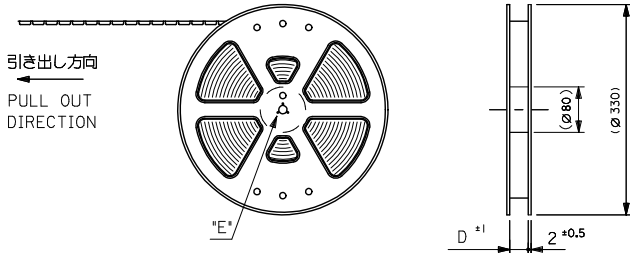
参考基板レイアウト
(マウント面)
RECOMMENDED P.C. BOARD
PATTERN DIMENSION (REF.)
(MOUNTING SIDE)

21.6	19.6	15.65	14.5	52437-3027	30
21.1	19.1	15.15	14.0	-2927	29
20.6	18.6	14.65	13.5	-2827	28
20.1	18.1	14.15	13.0	-2727	27
19.6	17.6	13.65	12.5	-2627	26
18.6	16.6	12.65	11.5	-2427	24
18.1	16.1	12.15	11.0	-2327	23
17.6	15.6	11.65	10.5	-2227	22
17.1	15.1	11.15	10.0	-2127	21
16.6	14.6	10.65	9.5	-2027	20
15.6	13.6	9.65	8.5	-1827	18
14.6	12.6	8.65	7.5	-1627	16
14.1	12.1	8.15	7.0	-1527	15
13.6	11.6	7.65	6.5	-1427	14
13.1	11.1	7.15	6.0	-1327	13
12.6	10.6	6.65	5.5	-1227	12
11.6	9.6	5.65	4.5	-1027	10
10.6	8.6	4.65	3.5	-0827	8
10.1	8.1	4.15	3.0	-0727	7
9.6	7.6	3.65	2.5	52437-0627	6
D	C	B	(A)	ENG. NO.	極数

REVISED & REDRAWN EC NO: J2014-0108 DRAWN: KNAGUMO 2013/07/16 CHKD: TAKAHASHI 2013/07/16 APPR: YNOGAWA 2013/08/02	GENERAL TOLERANCES (UNLESS SPECIFIED)		DIMENSION STYLE MM ONLY		SCALE ---	DESIGN UNITS METRIC	THIRD ANGLE PROJECTION
	10 UNDER	± 0.2	DRAWN BY KNAGUMO	DATE 2013/07/16	TITLE 0.5 FPC CONN ZIF FOR SMT R/A(BOTTOM CONTACT)		
	10 OVER 30 UNDER	± 0.25	CHECKED BY TAKAHASHI	DATE 2013/07/16			
	30 OVER	± 0.3	APPROVED BY YNOGAWA	DATE 2013/08/02			
	ANGULAR ± 3 °		MATERIAL NO.	DOCUMENT NO.			
DRAFT WHERE APPLICABLE MUST REMAIN WITHIN DIMENSIONS		SEE CHART		SD-52437-025		2 OF 2	
THIS DRAWING CONTAINS INFORMATION THAT IS PROPRIETARY TO MOLEX INCORPORATED AND SHOULD NOT BE USED WITHOUT WRITTEN PERMISSION							

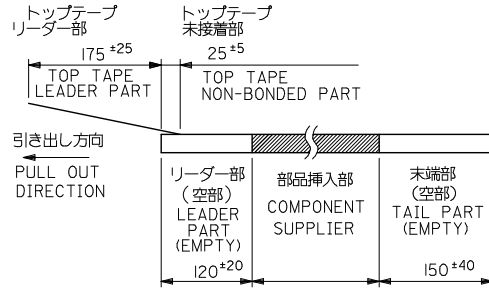
9 8 7 6 5 4 3 2

10 9 8 7 6 5 4 3 2 1



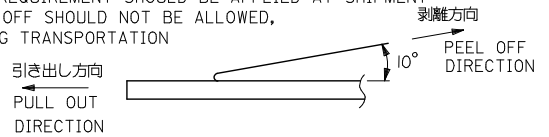
注記 NOTES

- 製品番号 52437-***27 の梱包状態はアクチュエータがロックした状態とする。
詳細寸法については図面 SD-52437-025 を参照下さい。
IN THE PACKAGE,ACTUATOR OF PART NO.52437-***27 SHOULD BE LOCKED RE DETAILED DIMENSIONS,SEE SD-52437-025
- 梱包数量: 1000個/リール
NUMBER OF CONNECTORS:1000PCS/REEL
- リードテープ長さ LEAD TAPE LENGTH



- トップテープの剥離強度: (剥離方向は下図参照)
0.1N~0.7N (10.2gf~71.4gf) 尚、本規格値は、出荷時に適用。
(但し、輸送時に剥離が発生しない事。)

PEELING OFF FORCE OF TOP TAPE
0.1N~0.7N(10.2gf~71.4gf)(PEELING DIRECTION AS SHOWN IN FOLLOWING FIG.)
THIS REQUIREMENT SHOULD BE APPLIED AT SHIPMENT
PEEL OFF SHOULD NOT BE ALLOWED,
DURING TRANSPORTATION

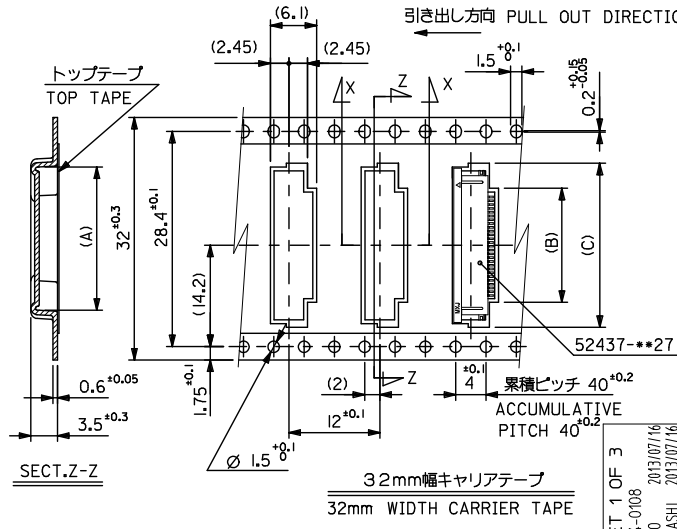
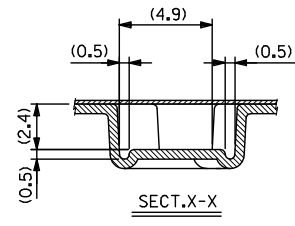
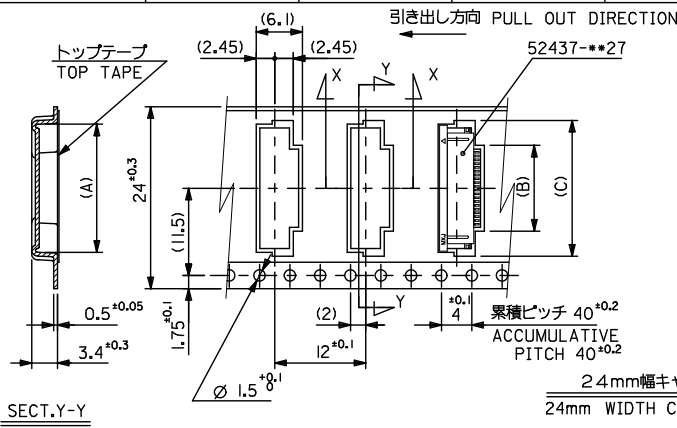


- 材料 (MATERIAL)
キャリアテープ (CARRIER TAPE): ポリプロピレン (POLYPROPYLENE)
トップテープ (TOPTAPE): PET, PE, PEF
リール (REEL): ポリスチレン (PS) <リサイクル材を含む>
POLYSTYREN (PS) <RECYCLE MATERIAL CONTAINED>

REVISED & REDRAWN EC NO: J2014-0108 DRAWN BY: 2013/07/16 CHIKIDAKAKASHI APPR: YNOGAWA 2013/08/02	GENERAL TOLERANCES (UNLESS SPECIFIED)		DIMENSION STYLE MM ONLY		SCALE ---	DESIGN UNITS METRIC	THIRD ANGLE PROJECTION
	10 UNDER	±---	DRAWN BY	DATE	EMBOSSED TAPE PACKAGE FOR 52437-***27 molex		
	10 OVER 30 UNDER	±---	CHECKED BY	DATE			
	30 OVER	±---	APPROVED BY	DATE			
ANGULAR	±--- °	MATERIAL NO.	DOCUMENT NO.	SHEET NO.			
0	DRAFT WHERE APPLICABLE MUST REMAIN WITHIN DIMENSIONS		SEE CHART		SD-52437-026		1 OF 3
THIS DRAWING CONTAINS INFORMATION THAT IS PROPRIETARY TO MOLEX INCORPORATED AND SHOULD NOT BE USED WITHOUT WRITTEN PERMISSION							

9 8 7 6 5 4 3 2

10 9 8 7 6 5 4 3 2 1



32	33.5	22.4	15.8	21.4	52437-2991	29
		21.9	15.3	20.9	-2891	28
		21.4	14.8	20.4	-2791	27
		20.9	14.3	19.9	-2691	26
		19.9	13.3	18.9	-2491	24
		19.4	12.8	18.4	-2391	23
24	25.5	18.9	12.3	17.9	-2291	22
		17.9	11.3	16.9	-2091	20
		16.9	10.3	15.9	-1891	18
		15.9	9.3	14.9	-1691	16
		15.4	8.8	14.4	-1591	15
		14.9	8.3	13.9	-1491	14
		14.4	7.8	13.4	-1391	13
		13.9	7.3	12.9	-1291	12
		12.9	6.3	11.9	-1091	10
		11.9	5.3	10.9	-0891	8
11.4	4.8	10.4	-0791	7		
10.9	4.3	9.9	52437-0691	6		

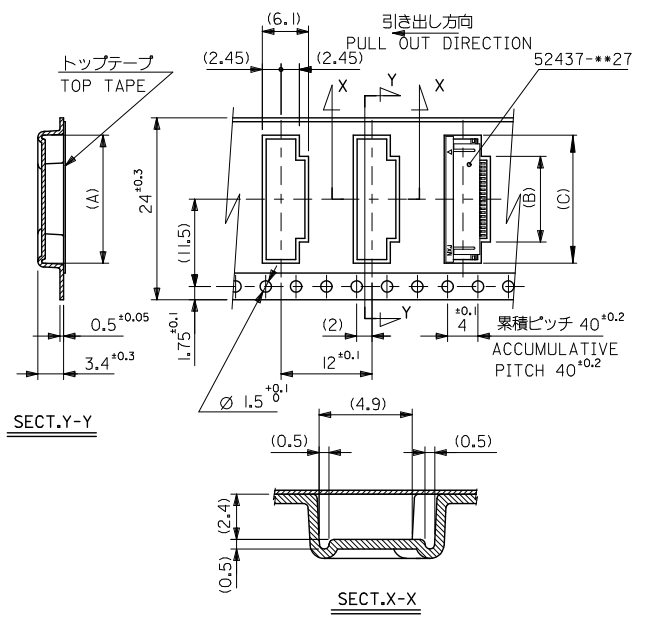
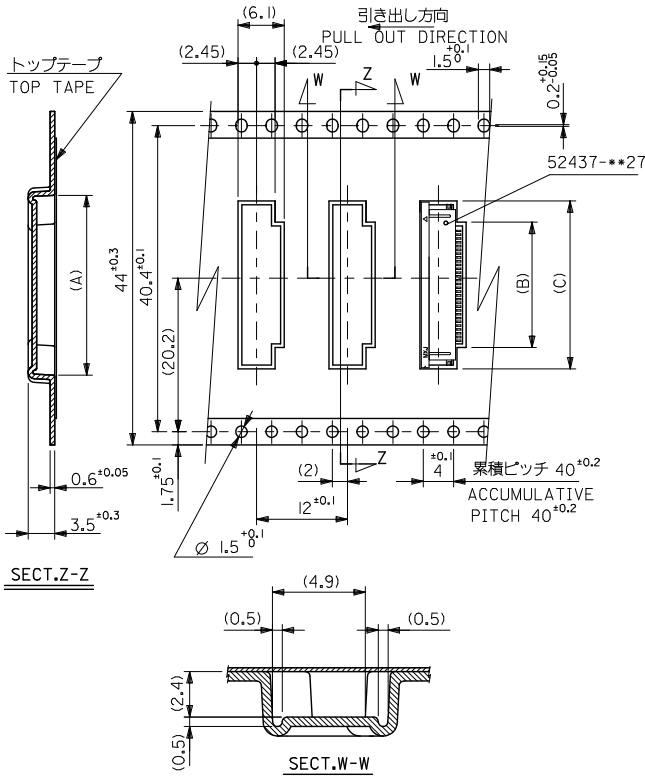
SEE SHEET 1 OF 3 IEC NO. J2014-0108 DRAWN BY 2013/07/16 DRW:KNAGUMO CHECKED BY 2013/07/16 CHK:KTAKAHASHI APPR:YNOGAWA 2013/08/02 REV 0	GENERAL TOLERANCES (UNLESS SPECIFIED)	DIMENSION STYLE MM ONLY	SCALE ---	DESIGN UNITS METRIC	THIRD ANGLE PROJECTION	
	10 UNDER ± --- 10 OVER 30 UNDER ± --- 30 OVER ± ---	DRAWN BY DATE KNAGUMO 2013/07/16	TITLE EMBOSSED TAPE PACKAGE FOR 52437-27			
	ANGULAR ± --- ° DRAFT WHERE APPLICABLE MUST REMAIN WITHIN DIMENSIONS	CHECKED BY DATE KTAKAHASHI 2013/07/16	MATERIAL NO. SEE CHART			
		APPROVED BY DATE YNOGAWA 2013/08/02	DOCUMENT NO. SD-52437-026	SHEET NO. 2 OF 3		



THIS DRAWING CONTAINS INFORMATION THAT IS PROPRIETARY TO MOLEX INCORPORATED AND SHOULD NOT BE USED WITHOUT WRITTEN PERMISSION

9 8 7 6 5 4 3 2 1

10 9 8 7 6 5 4 3 2 1



24mm 幅キャリアテープ					
24mm WIDTH CARRIER TAPE					
44	45.5	22.9	16.3	21.9	52437-3091 30
24	25.5	18.4	11.8	17.4	52437-2191 21
キャリアテープ幅 CARRIER TAPE WIDTH	D	(C)	(B)	(A)	ENG. NO. 極致 CIRCUIT

SEE SHEET 1 OF 3 EC NO. J2014-0108 DRAWN BY: 2013/07/16 CHKD BY: 2013/07/16 APPR: 2013/08/02	GENERAL TOLERANCES (UNLESS SPECIFIED)		DIMENSION STYLE MM ONLY		SCALE ---	DESIGN UNITS METRIC	THIRD ANGLE PROJECTION
	10 UNDER	± ---	DRAWN BY	DATE	TITLE		
	10 OVER 30 UNDER	± ---	KNAGUMO	2013/07/16	EMBOSSED TAPR PACKAGE FOR 52437-***27		
	30 OVER	± ---	CHECKED BY	DATE	molex		
	ANGULAR	± --- °	KTAKAHASHI	2013/07/16	DOCUMENT NO. SD-52437-026		
0	DRAFT WHERE APPLICABLE MUST REMAIN WITHIN DIMENSIONS		MATERIAL NO. SEE CHART		SHEET NO. 3 OF 3		
REV	THIS DRAWING CONTAINS INFORMATION THAT IS PROPRIETARY TO MOLEX INCORPORATED AND SHOULD NOT BE USED WITHOUT WRITTEN PERMISSION						

9 8 7 6 5 4 3 2