



Excellent Integrated System Limited

Stocking Distributor

Click to view price, real time Inventory, Delivery & Lifecycle Information:

[Amphenol RE](#)
[031-71052-10RFX](#)

For any questions, you can email us directly:

sales@integrated-circuit.com

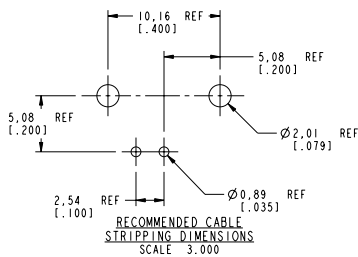
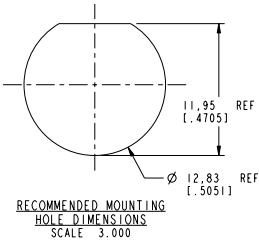
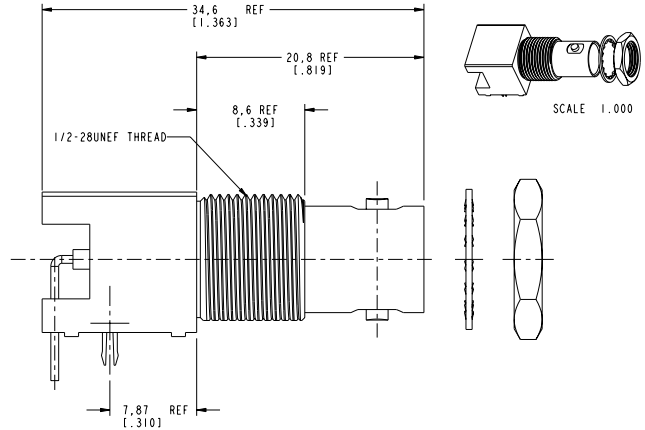
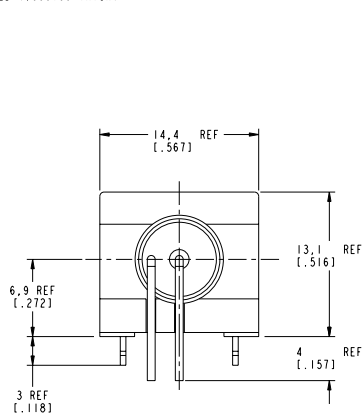
NOTES:

1. MATERIALS OF CONSTRUCTION:

BODY = ZINC DIE CAST, NICKEL PLATED (.000100 THICK)
 CONTACT PIN = PHOSPHOR BRONZE, GOLD FLASH OVER NICKEL PLATED (.000050 THICK)
 POST = COPPER, TIN PLATED
 MOUNTING POST = BRASS (00-B-613), TIN PLATED
 HEX NUT = BRASS (00-B-626), NICKEL PLATED (.000100 THICK)
 LOCKWASHER = BRASS (00-B-613), NICKEL PLATED (.000100 THICK)
 HOUSING = PBT, WHITE
 INSULATOR = POLYPROPYLENE, COLOR NATURAL

2. MAX. PANEL THICKNESS = 5mm (.197)

31-71052-10RFX		REVISIONS			
DRAWING NO.	REV	DESCRIPTION	DATE	ECO	APPR
THIRD ANGLE PROJ.	A	RELEASE TO MFG.	8/8/01	43816	CPM



CUSTOMER OUTLINE DRAWING
 ALL OTHER SHEETS ARE FOR INTERNAL USE ONLY

UNLESS OTHERWISE SPECIFIED, DIMENSIONS ARE IN INCHES AND TOLERANCES ARE:
 0.5 - 6mm ±0.2mm
 6 - 30mm ±0.4mm
 30 - 120mm ±0.6mm

NOTICE - These drawings, specifications, or other data (1) are, and remain the property of Amphenol Corp. (2) must be returned upon request; and (3) are confidential and not to be disclosed to any person other than those to whom they are given by Amphenol Corp. The furnishing of these drawings, specifications, or other data by Amphenol Corp., or to any other person for any purpose is not to be regarded by implication or otherwise in any manner licensing, granting rights or permitting such holder or any other person to manufacture, use or sell any product, process or design, patented or otherwise, that may in any way be related to or disclosed by said drawings, specifications, or other data.

MATERIAL

REFERENCE EAR# 329
 GEN# 31-71052-10RFX_ASSY

DRAWN	C. McGRATH	DATE	7/24/01
ENGINEER	O. BARTHELMES	DATE	7/24/01
APPROVED	O. BARTHELMES	DATE	8/8/01

TITLE	BNC R/A PC MOUNT RECEPTACLE JACK
CAD FILE	1:\BNC\31-71052-10RFX

Amphenol	
Amphenol Corporation Communication and Network Products Division Danbury, CT U.S.A. 06810	
SCALE: 3.0:1	SHEET 2 OF 2

CODE ID	DWG SIZE	DRAWING NO.	REV
74868	B	31-71052-10RFX	A