

Excellent Integrated System Limited

Stocking Distributor

Click to view price, real time Inventory, Delivery & Lifecycle Information:

[Molex Connector Corporation](#)
[67210-0006](#)

For any questions, you can email us directly:

sales@integrated-circuit.com

NOTE:
 1. MATERIAL :

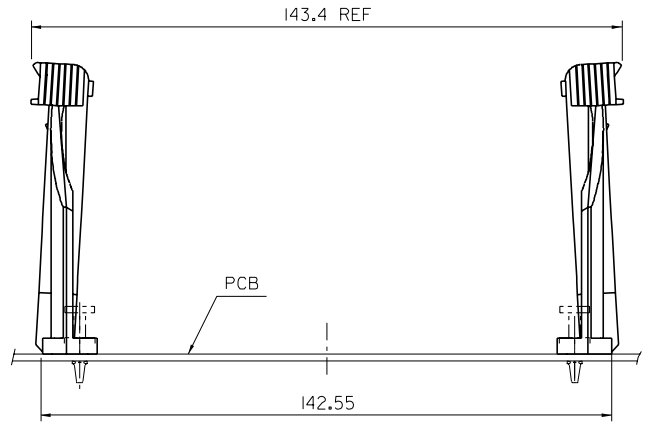
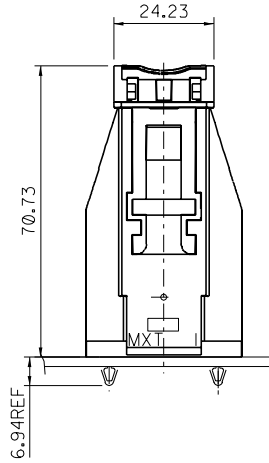
HOUSING : POLYCARBONATE COLOR : BLACK

FASTENER PIN : NYLON

FASTENER BODY : NYLON

2.PRODUCT SPECIFICATION : NONE.

3.SEE SHEET 2 FOR PC BOARD PATTERN
 AND ISOMETRIC ASSEMBLY VIEW.



2	A
1	A

RTM
 T 1995-0142
 SSHIN '98/11/26
 RYANG '98/11/27
 MEGA '98/11/27

SSHIN '98/8/03

SALES DRAWING OF
 UNIVERSAL RETENTION MODULE
 PLASTIC FASTENER

S6721002.S01 SEE CHART

SD-67210-002 1 OF 2

A

S6721002.S01

SEE CHART

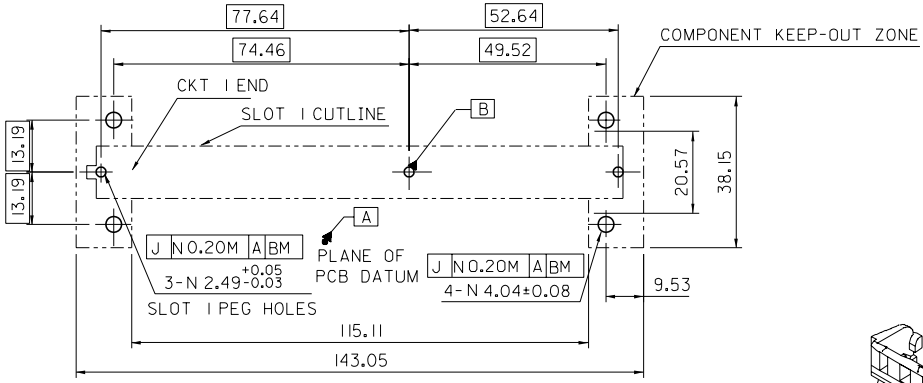
ENG. NO. SEE CHART

EDP NO.

SIMILAR ITEM

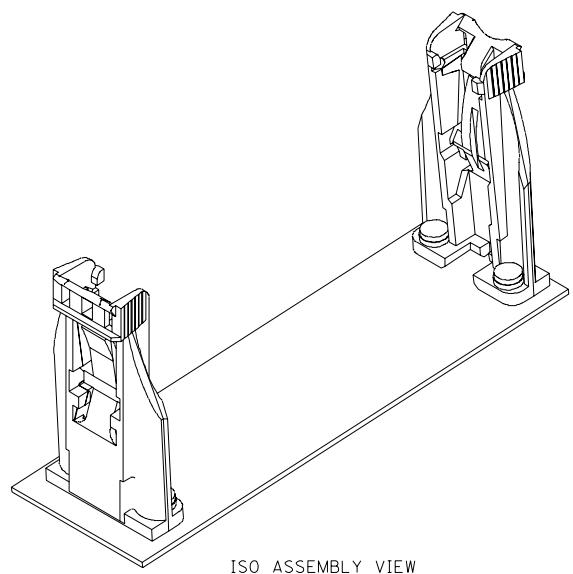
CAD FILE NO. S6721002.S02

DO NOT SCALE DRAWING



RECOMMENDED PCB LAYOUT
CONNECTOR SIDE

MATERIAL NUMBER	PACKING STYLE
67210-0006	INDIVIDUAL BAG (2 PCS/BAG)
67210-1006	BULK BAG (40 PCS/BAG)



ISO ASSEMBLY VIEW

RTM EC NO. T1999-0142 DRAWN: SSHIN '98/11/26 CHKD: RTANG '98/11/27 APPR: MECA '98/11/27	QUALITY SYMBOLS MAJOR = 0 CRITICAL = 0	GENERAL TOLERANCES: (UNLESS SPECIFIED)	SCALE 1:1	DESIGN UNITS <input checked="" type="checkbox"/> mm <input type="checkbox"/> INCH	THIRD ANGLE PROJECTION <input type="checkbox"/> mm <input checked="" type="checkbox"/> INCH	DIMENSIONS: <input type="checkbox"/> mm <input checked="" type="checkbox"/> INCH	SHT 1	REV 1														
		<table border="1"> <thead> <tr> <th></th> <th>mm</th> <th>INCH</th> </tr> </thead> <tbody> <tr> <td>4 PLACES</td> <td>±0.25</td> <td>±.010</td> </tr> <tr> <td>3 PLACES</td> <td>±0.25</td> <td>±.010</td> </tr> <tr> <td>2 PLACES</td> <td>±0.25</td> <td>±.010</td> </tr> <tr> <td>1 PLACE</td> <td>±0.25</td> <td>±.010</td> </tr> </tbody> </table>		mm	INCH	4 PLACES	±0.25	±.010	3 PLACES	±0.25	±.010	2 PLACES	±0.25	±.010	1 PLACE	±0.25	±.010	DRAWN BY & DATE SSHIN '98/8/03	TITLE: SALES DRAWING OF UNIVERSAL RETENTION MODULE PLASTIC FASTENER	MOLEX INCORPORATED		
	mm	INCH																				
4 PLACES	±0.25	±.010																				
3 PLACES	±0.25	±.010																				
2 PLACES	±0.25	±.010																				
1 PLACE	±0.25	±.010																				
DESCRIPTION A	ANGULAR: ±3°	CAD FILENAME S6721002.S02	APPROVED BY & DATE	MATERIAL NO. SEE CHART	DRAWING NO. SD-67210-002	SHEET NO. 2	SIZE A3															
DRAFT WHERE APPLICABLE MUST REMAIN WITHIN DIMENSIONS		THIS DRAWING CONTAINS INFORMATION THAT IS PROPRIETARY TO MOLEX INCORPORATED AND SHOULD NOT BE USED WITHOUT WRITTEN PERMISSION.																				