



Excellent Integrated System Limited

Stocking Distributor

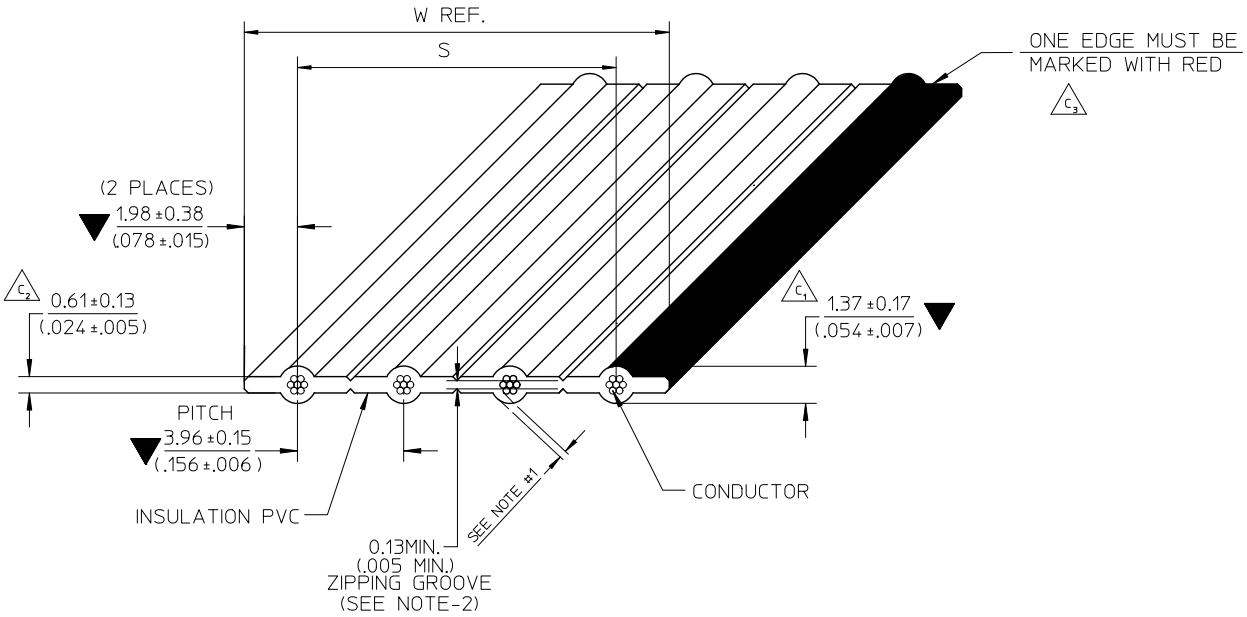
Click to view price, real time Inventory, Delivery & Lifecycle Information:

[Molex Connector Corporation](#)

[82-22-5907](#)

For any questions, you can email us directly:

sales@integrated-circuit.com



- NOTE :**
1. THE CABLE SHALL HAVE A MINIMUM OF 0.178mm. (0.07") THICKNESS INSULATION AT ANY POINT
 2. RIP TEST:
- THE 0.13mm. (0.005") ZIPPING GROOVE SHALL BE CAPABLE OF BEING RIPPED BY HAND WITHIN THE RECESS, WITHOUT EXPOSING THE ADJACENT CONDUCTORS
 3. RoHS AND LEAD FREE COMPLIANT
 4. SPECIAL REQUIREMENT: N/A

PRODUCT APPLICATION	
<input checked="" type="checkbox"/>	GENERAL USE
<input type="checkbox"/>	AUTOMOTIVE
<input type="checkbox"/>	MEDICAL DEVICE

<table border="1"> <tr> <th>REV</th> <th>EC NO.</th> <th>DETAIL</th> <th>DATE</th> </tr> <tr> <td>C</td> <td>E-10-0371</td> <td>C₂: REMOVE REELS MFG. IN NOG. C₂: CHANGE THICKNESS. C₁: CHANGE OD.</td> <td>2011/01/25</td> </tr> <tr> <td>B</td> <td>E-07-0748</td> <td>B₂: ADD NON-OPERATING TEMP. B₁: ADD SOLDERING CONDITION</td> <td>2007/09/27</td> </tr> <tr> <td>A</td> <td>N/A</td> <td>INITIAL DRAFT</td> <td>2006/08/09</td> </tr> </table>	REV	EC NO.	DETAIL	DATE	C	E-10-0371	C ₂ : REMOVE REELS MFG. IN NOG. C ₂ : CHANGE THICKNESS. C ₁ : CHANGE OD.	2011/01/25	B	E-07-0748	B ₂ : ADD NON-OPERATING TEMP. B ₁ : ADD SOLDERING CONDITION	2007/09/27	A	N/A	INITIAL DRAFT	2006/08/09	SEE CHANGE DETAIL EC NO: THL2011-0054 DRWN: CPANSAKHOM 2010/11/10 CHKD: PMEECHAI 2011/01/25 APPR: SVIRATJAPOL 2011/03/31	QUALITY SYMBOLS ▽=3 ▽=0	GENERAL TOLERANCES (UNLESS SPECIFIED)		DIMENSION STYLE MM/IN		SCALE NTS	DESIGN UNITS INCH	THIRD ANGLE PROJECTION
	REV	EC NO.	DETAIL	DATE																					
C	E-10-0371	C ₂ : REMOVE REELS MFG. IN NOG. C ₂ : CHANGE THICKNESS. C ₁ : CHANGE OD.	2011/01/25																						
B	E-07-0748	B ₂ : ADD NON-OPERATING TEMP. B ₁ : ADD SOLDERING CONDITION	2007/09/27																						
A	N/A	INITIAL DRAFT	2006/08/09																						
DRAFT WHERE APPLICABLE MUST REMAIN WITHIN DIMENSIONS		DRAWN BY CPANSAKHOM DATE 2006/08/09 CHECKED BY PMEECHAI DATE 2006/08/09 APPROVED BY SVIRATJAPOL DATE 2006/08/09 MATERIAL NO. SEE CHART		TITLE FCB ROUND CONDUCTOR 3.96MM(.156)CENTERS PVC. 22AWG STRANDED TOPCOATED		MOLEX INCORPORATED DOCUMENT NO. SD-8868-001		SHEET NO. 1 OF 3																	

lb_frame_A4_P_ME_T
Rev. E 2006/04/15



7 6 5 4 3 2 1

SPECIFICATIONS

PHYSICAL

CONDUCTOR SPACING3.96 (.156") C TO C
 WIRE GAUGE22 AWG(7/30) STRANDED TOPCOATED
 INSULATIONP.V.C GRAY (LEAD FREE)

AGENCY

U.L. STYLE NO.2651
 TEMPERATURE RATING-20°C TO 105°C
 VOLTAGE RATING300V.MAX.
 FLAMMABILITY RATINGVW-1

ELECTRICAL

CONDUCTOR RESISTANCE (D.C.)17 m OHMS/FT. MAX.
 CHARACTERISTIC IMPEDANCE140 OHMS NOM. (GSG)
123 OHMS NOM. (GSG)
 CAPACITANCE4.7 pF/FT. NOM. (GSG)
8.5 pF/FT. NOM. (GSG)
 PROPAGATION DELAY1.4 ns/FT. NOM.
 INSULATION RESISTANCE10 M OHMS (10FT. SAMPLE)
 DIELECTRIC WITHSTAND VOLTAGE2000 VRMS/MINUTE

GENERAL

NON-OPERATING TEMPERATURE-20°C TO 105°C
 FAULTS AND/OR SPLICES1/REEL MAX. 100⁺³₀ FT. (30.48^{+0.914}₀ M.)/REEL
20FT. (6.096M.) MIN. LENGTH

SOLDERING CONDITION

SOLDER TEMPERATURE260°C. MAX.
 SOLDERING TIME3 SECOND, MAX.
 INSULATION SHRINK2MM. NOM

SEE CHANGE DETAIL EC NO: THL2011-0054 DRWNG:CPANSAKHOM 2010/11/10 CHKD:PMEECHAI 2011/01/25 APPR:SVIRATJAPOL 2011/03/31 DESCRIPTION REV	QUALITY SYMBOLS	GENERAL TOLERANCES (UNLESS SPECIFIED)		DIMENSION STYLE		SCALE	DESIGN UNITS	THIRD ANGLE PROJECTION	
	= =	mm	INCH	MM/IN		NTS	INCH		
		4 PLACES ± ---	± ---	DRAWN BY	DATE	TITLE			
		3 PLACES ± ---	± ---	CPANSAKHOM	2006/08/09	FCB ROUND CONDUCTOR			
		2 PLACES ± ---	± ---	CHECKED BY	DATE	3.96MM(.156)CENTERS PVC.			
	1 PLACE ± ---	± ---	PMEECHAI	2006/08/09	22AWG STRANDED TOPCOATED				
	ANGULAR ± ---°	± ---°	APPROVED BY	DATE	MOLEX INCORPORATED				
			SVIRATJAPOL	2006/08/09	DOCUMENT NO.				
DRAFT WHERE APPLICABLE MUST REMAIN WITHIN DIMENSIONS			MATERIAL NO.	SEE CHART		SD-8868-001		SHEET NO.	
			SIZE	THIS DRAWING CONTAINS INFORMATION THAT IS PROPRIETARY TO MOLEX INCORPORATED AND SHOULD NOT BE USED WITHOUT WRITTEN PERMISSION					2 OF 3
			A4						

6 5 4 3 2 1

7 6 5 4 3 2 1

CHART A DIMENSIONS MM. (INCHES)				SHIPPED ON 100 FT. REELS	
ENG. NO.	NO. OF COND.	DIMENSION S	DIM. W (REF)	ENGINEERING NO.	ORDER NO.
8868- 2	2	3.96±0.15 (.156±.006)	7.92 (.312)	8868-02-100B	82-22-5902
8868- 3	3	7.92±0.25 (.312±.010)	11.89 (.468)	▲ -03- ▲	▲ 03
8868- 4	4	11.89±0.38 (.468±.015)	15.85 (.624)	▲ -04- ▲	▲ 04
8868- 5	5	15.85±0.38 (.624±.015)	19.81 (.780)	▲ -05- ▲	▲ 05
8868- 6	6	19.81±0.38 (.780±.015)	23.77 (.936)	▲ -06- ▲	▲ 06
8868- 7	7	23.77±0.38 (.936±.015)	27.74 (1.092)	▲ -07- ▲	▲ 07
8868- 8	8	27.74±0.38 (1.092±.015)	31.70 (1.248)	▲ -08- ▲	▲ 08
8868- 9	9	31.70±0.38 (1.248±.015)	35.66 (1.404)	▲ -09- ▲	▲ 09
8868-10	10	35.66±0.38 (1.404±.015)	39.62 (1.560)	▲ -10- ▲	▲ 10
8868-11	11	39.62±0.38 (1.560±.015)	43.59 (1.716)	▲ -11- ▲	▲ 11
8868-12	12	43.59±0.38 (1.716±.015)	47.55 (1.872)	▲ -12- ▲	▲ 12
8868-13	13	47.55±0.38 (1.872±.015)	51.51 (2.028)	▲ -13- ▲	▲ 13
8868-14	14	51.51±0.38 (2.028±.015)	55.47 (2.184)	▲ -14- ▲	▲ 14
8868-15	15	55.47±0.38 (2.184±.015)	59.44 (2.340)	▲ -15- ▲	▲ 15
8868-16	16	59.44±0.38 (2.340±.015)	63.40 (2.496)	▼ -16- ▼	▼ 16

ENGINEERING NO.

8868-XX-XXXX

A B C D

- A : CABLE 3.96mm. (.156") CENTERS 22 AWG STRANDED TOPCOATED
- B : CONDUCTOR SIZE (AVAILABILITY 2 THROUGH 16)
- C : CABLE LENGTH 100FT. (30.48M.)
- D : A = INCHES
B = FEET

SEE CHANGE DETAIL EC NO: THL2011-0054 DRWN:CPANSAKHOM 2010/11/10 CHKD:PMEECHAI 2011/01/25 APPR:SVIRAT JAPOL 2011/03/31	QUALITY SYMBOLS ▽ = ▽ =	GENERAL TOLERANCES (UNLESS SPECIFIED)		DIMENSION STYLE MM/IN		SCALE NTS	DESIGN UNITS INCH	THIRD ANGLE PROJECTION	
			mm	INCH	DRAWN BY CPANSAKHOM	DATE 2006/08/09	TITLE FCB ROUND CONDUCTOR 3.96MM(.156)CENTERS PVC. 22AWG STRANDED TOPCOATED		
		4 PLACES	± ---	± ---	CHECKED BY PMEECHAI	DATE 2006/08/09	MOLEX INCORPORATED		
		3 PLACES	± ---	± ---	APPROVED BY SVIRAT JAPOL	DATE 2006/08/09	DOCUMENT NO. SD-8868-001		
2 PLACES	± ---	± ---	MATERIAL NO. SEE CHART		SHEET NO. 3 OF 3				
1 PLACE	± ---	± ---	DRAFT WHERE APPLICABLE MUST REMAIN WITHIN DIMENSIONS		THIS DRAWING CONTAINS INFORMATION THAT IS PROPRIETARY TO MOLEX INCORPORATED AND SHOULD NOT BE USED WITHOUT WRITTEN PERMISSION				
ANGULAR ± ---°									

6 5 4 3 2 1